

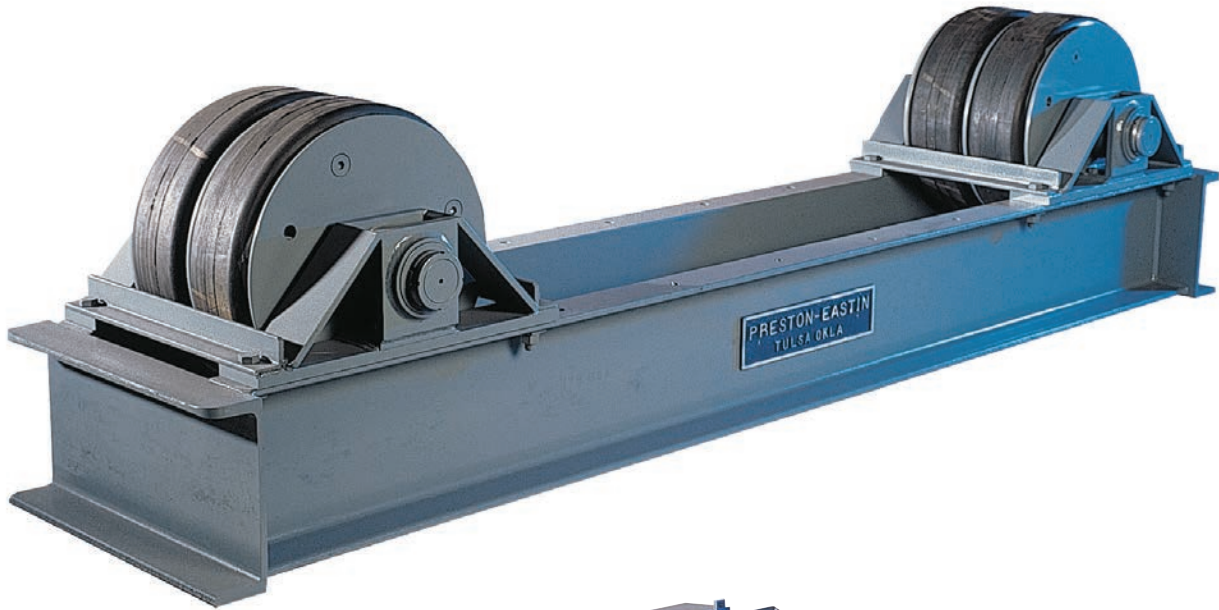


*Positioning Solutions since 1972*

***Turning  
Rolls***

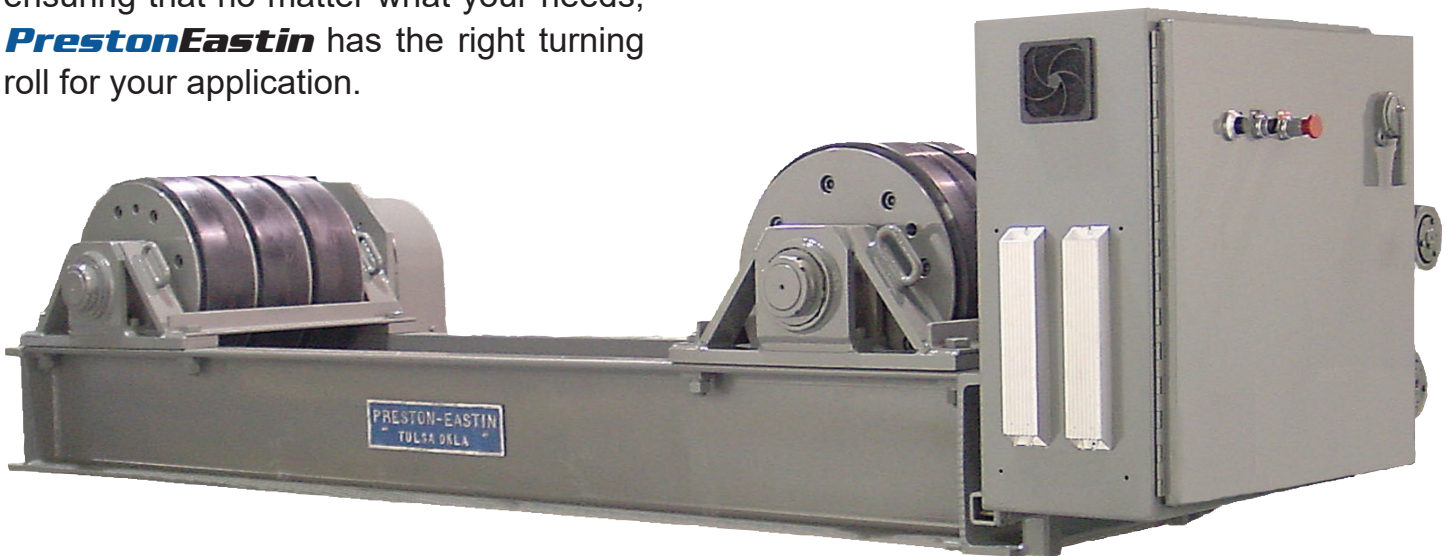


# Turning Rolls

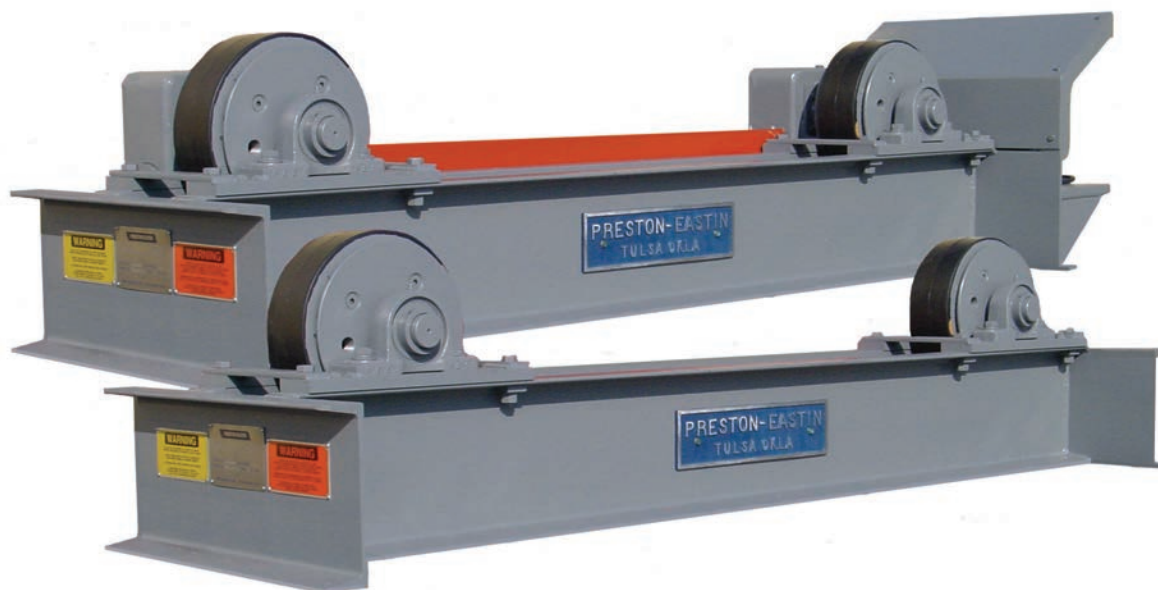


**PrestonEastin** turning rolls are designed and built for years of dependable low maintenance operation.

Our standard line of turning will easily support and rotate vessels ranging from 100 lbs to 400,000 lbs and work piece diameters from 6 inches to 30 feet ensuring that no matter what your needs, **PrestonEastin** has the right turning roll for your application.



# Turning Roll Dimensions



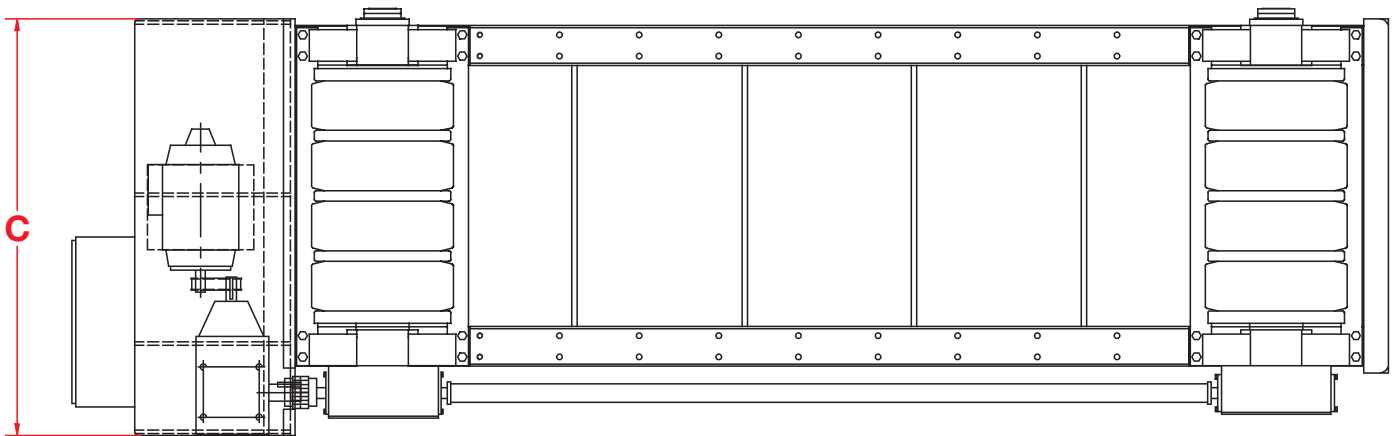
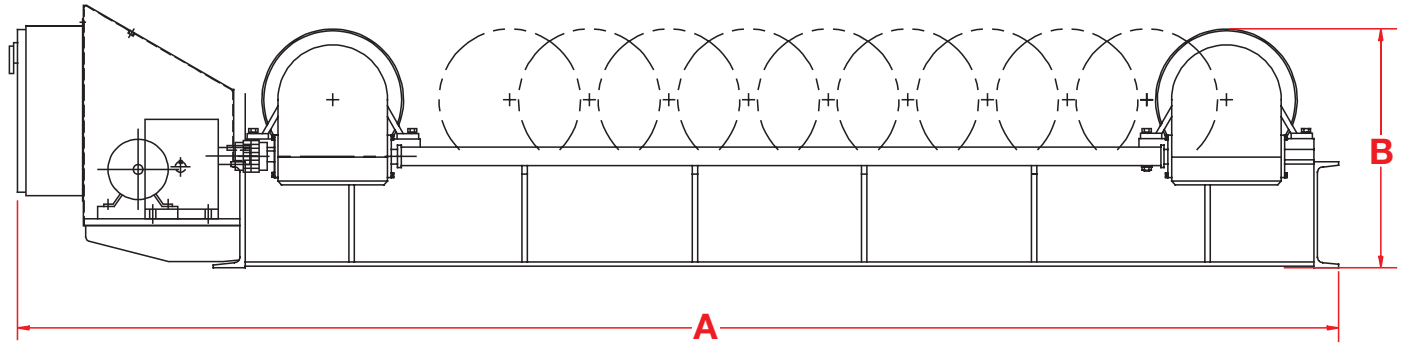
Turning Roll Dimensions

Model	Capacity LBS	Diameter Range	Speed Range	Turning Capacity LBS	Weight LBS	Motor	No. of Tires Per Axle	Wheels
FDR-3	3,000	3-1/2" - 30"	1.5 - 45 IPM	9,000	200	1/4 HP DC	1	12" X 3-1/2"
FIR-3	3,000				80		1	12" X 3-1/2"
TDRA-5	5,000	6" - 74"	1.5 - 45 IPM	10,000	300	1/2 HP DC	1	12" X 4"
TIRA-5	5,000				140		1	12" X 4"
TDRA-10	10,000	6" - 12'	1.5 - 45.8 IPM	30,000	1100	3/4 HP DC	1	12" X 4-1/2"
TIRA-10	10,000				650		1	12" X 4-1/2"
TDRA-20	20,000	6" - 14'	1.9 - 38 IPM	60,000	1400	1-1/2 HP DC	1	15" X 7"
TIRA-20	20,000				850		1	15" X 7"
TDRA-30	30,000	8" - 20'	1.5 - 43 IPM	90,000	2600	2HP AC	1	20" X 8"
TIRA-30	30,000				1500		1	20" X 8"
TDRA-60	60,000	8" - 20'	1.5 - 43 IPM	180,000	3100	3 HP AC	2	20" X 6"
TIRA-60	60,000				2400		2	20" X 6"
TDRA-90	90,000	8" - 20'	1.3 - 43 IPM	270,000	3900	3 HP AC	3	20" X 6"
TIRA-90	90,000				2900		3	20" X 6"
TDRA-120	120,000	8" - 30'	1.3 - 43 IPM	360,000	5000	5 HP AC	3	20" X 8"
TIRA-120	120,000				3800		3	20" X 8"
TDSA-200	200,000	8" - 16"	1.5 - 40 IPM	60,000	7700	5 HP AC	1	20" X 8"
TISA-200	200,000				5800		1	20" X 8"
TDRA-200	200,000	8" - 30'	1.3 - 43 IPM	600,000	7700	5 HP AC	4	20" X 8"
TIRA-200	200,000				5800		4	20" X 8"
TDSA-300	300,000	12" - 16"	1.0 - 31 IPM	900,000	7700	7.5 HP AC	1	20" X 8"
TISA-300	300,000				5800		1	20" X 8"

Note: Model number, "R" designates tires are rubber, and "S" designates the tires are steel. Steel or phenolic may be available as an option.



# Turning Roll Dimensions



## Turning Roll Dimensions

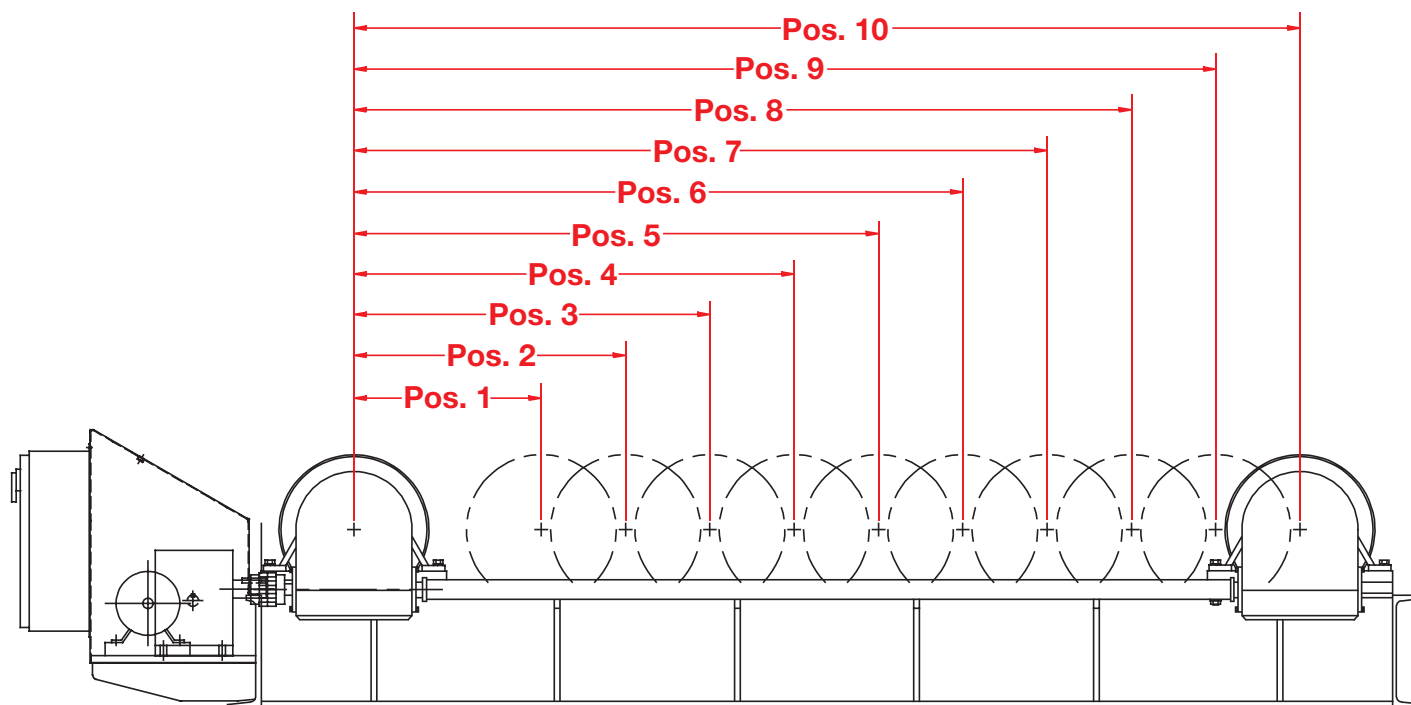
Model	A	B	C
FDR-3	36-1/2"	14-1/2"	26"
FIR-3	30"	14-1/2"	8"
TDRA-5	56-1/4"	13-3/8"	33-1/4"
TIRA-5	49"	13-3/8"	9-3/8"
TDRA-10	97-7/8"	19-1/2"	23-7/8"
TIRA-10	85-1/2"	19-1/2"	23-7/8"
TDRA-20	102-1/2"	21-1/2"	29"
TIRA-20	85-3/8"	21-1/2"	23-7/8"
TDRA-30	121-1/8"	27-1/4"	32 - 1/8"
TIRA-30	114-1/2"	27-1/4"	22"
TDRA-60	139-1/4"	27-1/4"	40-1/2"
TIRA-60	114-1/2"	27-1/4"	28-1/2"

Model	A	B	C
TDRA-90	124-3/8"	27-3/4"	42-7/8"
TIRA-90	111-3/4"	27-3/4"	32-1/2"
TDRA-120	182-1/4"	27-3/4"	47-1/4"
TIRA-120	158"	27-3/4"	34-1/2"
TDSA-200	139"	33-3/4"	52"
TISA-200	113"	33-3/4"	33-3/4"
TDRA-200	184"	33-3/4"	59"
TIRA-200	158"	33-3/4"	47-3/4"
TDSA-300	139"	33-3/4"	33-3/4"
TISA-300	113"	33-3/4"	33-3/4"

Note: Model number, "R" designates tires are rubber, and "S" designates the tires are steel. Steel or phenolic may be available as an option.



# Turning Roll Dimensions



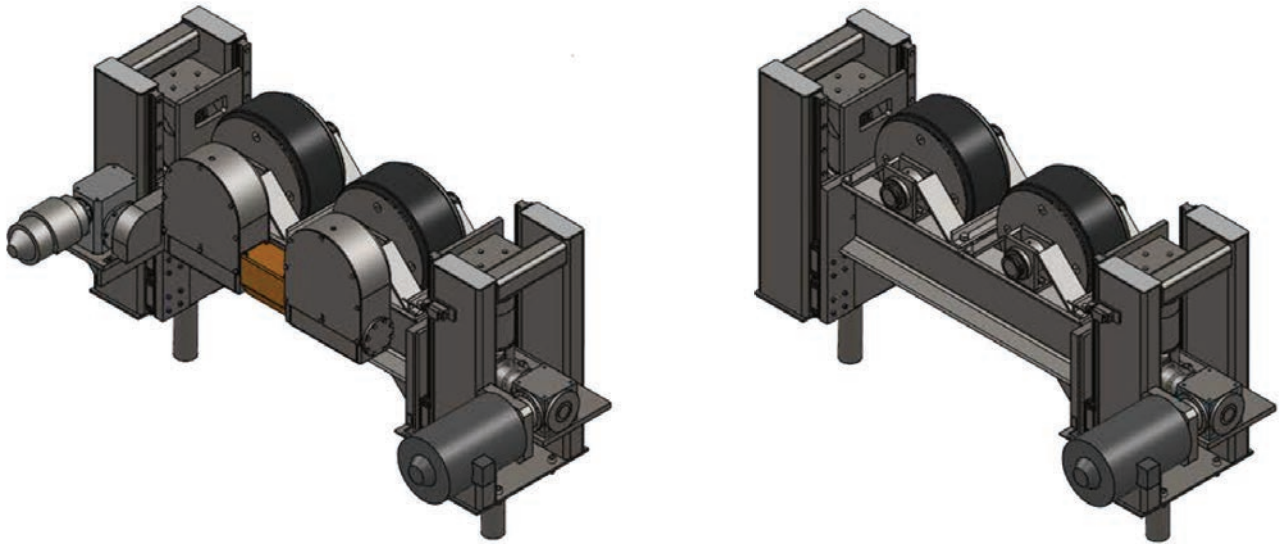
Turning Centerline to Centerline and Diameter Range

Model		Pos 1	Pos 2	Pos 3	Pos 4	Pos 5	Pos 6	Pos 7	Pos 8	Pos 9	Pos 10
FDR-3	ϕ to ϕ	14"									
	Dia. Range	3.5"-30"									
TDRA-5	ϕ to ϕ	15"	21"	27"	33"						
	Dia. Range	6"-36"	30"-55"	42"-74"	54"-96"						
TDRA-10	ϕ to ϕ	17"	32"	47"	62"						
	Dia. Range	6"-43"	36"-90"	82"-140"	112"-144"						
TDRA-20	ϕ to ϕ	18.5"	26.75"	35"	43.25"	51.5"	59.75"				
	Dia. Range	6"-45"	30"-70"	55"-95"	72"-122"	90"-148"	105"-168"				
TDRA-30	ϕ to ϕ	25"	36.25"	47.5"	58.75"	70"	81.25"				
	Dia. Range	8"-60"	42"-96"	62"-132"	82"-168"	120"-200"	145"-240"				
TDRA-60	ϕ to ϕ	25"	36.25"	47.5"	58.75"	70"	81.25"				
	Dia. Range	8"-60"	42"-96"	62"-132"	82"-168"	120"-200"	145"-240"				
TDRA-90	ϕ to ϕ	26.5"	37.75"	49"	60.25"	71.5"	81.25"				
	Dia. Range	8"-60"	42"-96"	62"-132"	82"-168"	120"-200"	145"-240"				
TDRA-120	ϕ to ϕ	25"	36.25"	47.5"	58.75"	70"	81.25"	92.5"	103.75"	115"	126.25"
	Dia. Range	8"-60"	42"-96"	62"-132"	82"-168"	120"-200"	145"-240"	165"-276"	210"-300"	260"-360"	300"-360"
TDRA-200	ϕ to ϕ	25"	36.25"	47.5"	58.75"	70"	81.25"	92.5"	103.75"	115"	126.25"
	Dia. Range	8"-60"	42"-96"	62"-132"	82"-168"	120"-200"	145"-240"	165"-276"	210"-300"	260"-360"	300"-360"

# ***Turning Rolls Options***

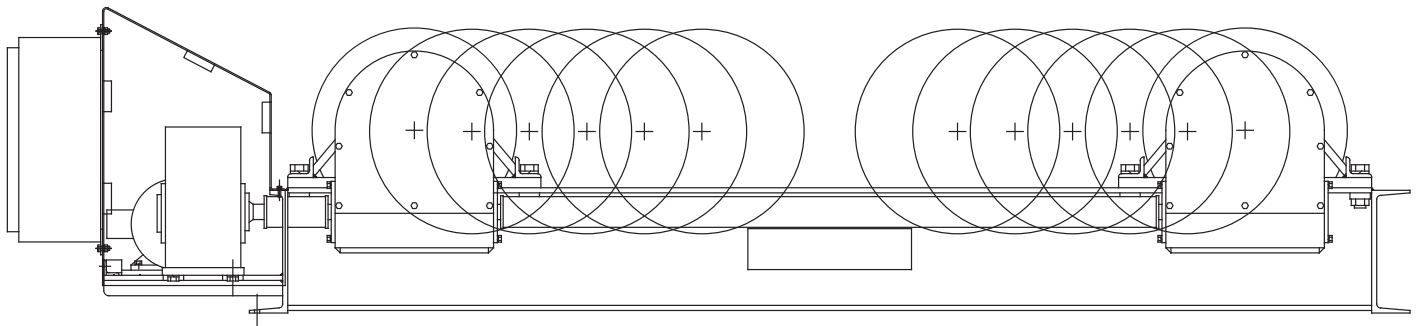
## ***Power Elevating Turning Rolls:***

Built to customer specifications for elevation and capacity requirements



## ***Constant Centerline Turning Rolls:***

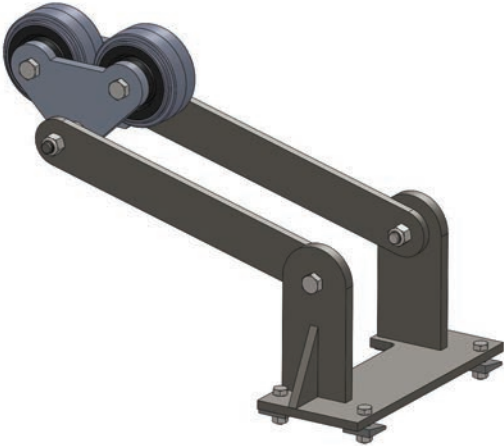
Available in any size



# Turning Rolls Options

## Small Pipe Adapter:

(for 7/8" to 7" diameter pipe)



## Wireless Pendant:

Preston Eastin safety-yellow pendants are outfitted with an RF transceiver to provide cordless operation of any size turning roll.



## Foot Switches:

Preston Eastin offers several optional foot switches for equipment control



**VFS-20**



**SFS-20**



**RFS-20**

- VFS-20** Variable Speed Foot Switch
- SFS-20** On/Off Foot Switch
- RFS-20** Forward/Reverse Foot Switch



PRESTON EASTIN



***PrestonEastin***

9490 North Ridgeway Street  
Tulsa, OK 74131

[sales@prestoneastin.com](mailto:sales@prestoneastin.com)  
[prestoneastin.com](http://prestoneastin.com)

(918) 834-5591

Fax (918) 834-5595

PETR-001; 8.31.18