



# ***PrestonEastin***

***Positioning Solutions since 1972***



## ***Manipulators***



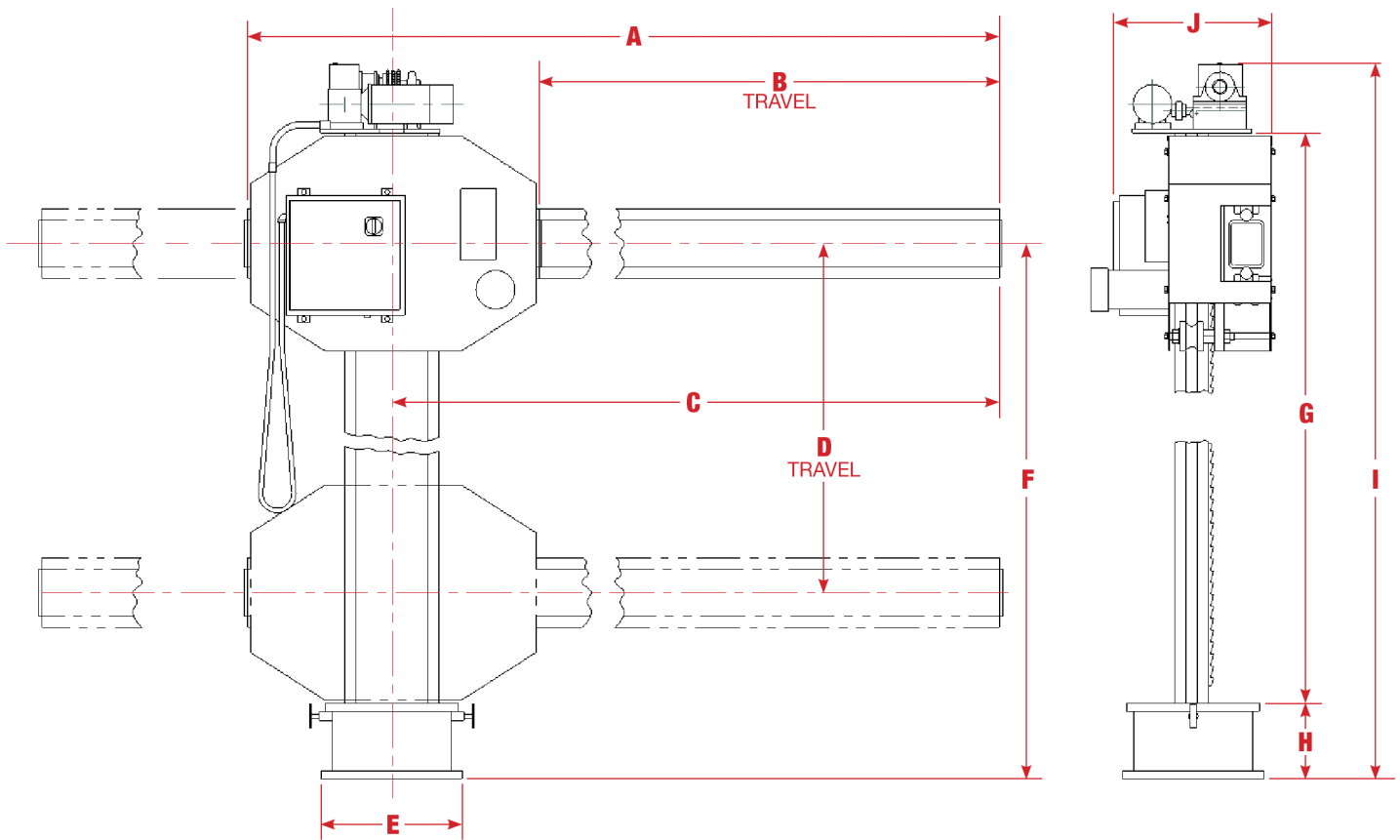
# ***Manipulators***



***PrestonEastin*** manipulators are versatile tools applicable to a wide range of operations, and are compatible with any make/model/manufacturer head or welding process. Ideal for circumferential and seam welding, our manipulators support a full range of manual welding processes and can be easily integrated into an automated welding system.

***PrestonEastin*** manipulators are designed for many years of low maintenance operation.

# Light Duty Manipulators



## LD Dimensions

Model	Size	A	B	C	D	E	F	G	H	I	J
MA-44 LD	4 x 4	85 in.	4 ft.	66 in.	4 ft.	14.75 in.	6 ft.	6 ft.	1 ft.	8 ft.	23 in.
MA-66 LD	6 x 6	109 in.	6 ft.	90 in.	6 ft.	14.75 in.	8 ft.	8 ft.	1 ft.	10 ft.	23 in.
MA-88 LD	8 x 8	133 in.	8 ft.	114 in.	8 ft.	14.75 in.	10 ft.	10 ft.	1 ft.	12 ft.	23 in.

*Note: Height will change when the manipulator is placed on either an X Base or Travel Car.*

## Specifications

**Payload:** See Chart

**Lift Motor:** 1/3 hp brake motor

**Ram Motor:** 1/4 hp AC Motor

**Mast:** Up-Down

**Rotation of Base:** Manual

**Horizontal Ram Speed:** 0-60 IPM

**Vertical Mast Speed:**  
36 inches per minute

**Input Voltage:** 115V

## Powered Travel Car Option

**Base Speed:** 0-60 IPM (Optional)

**Centerline distance rails:** 34" center-to-center

**Rail Type:** V Groove track

**Base Height:** 14-7/8"

*The fixed base OR Manual travel car are standard (customer choice)*

## Options:

**Additional Travel:** Vertical and/or Horizontal

**Manual Ram with 8" Handwheel**

**Digital LED Ram Speed Indicator**

*See Last Page for More Information*

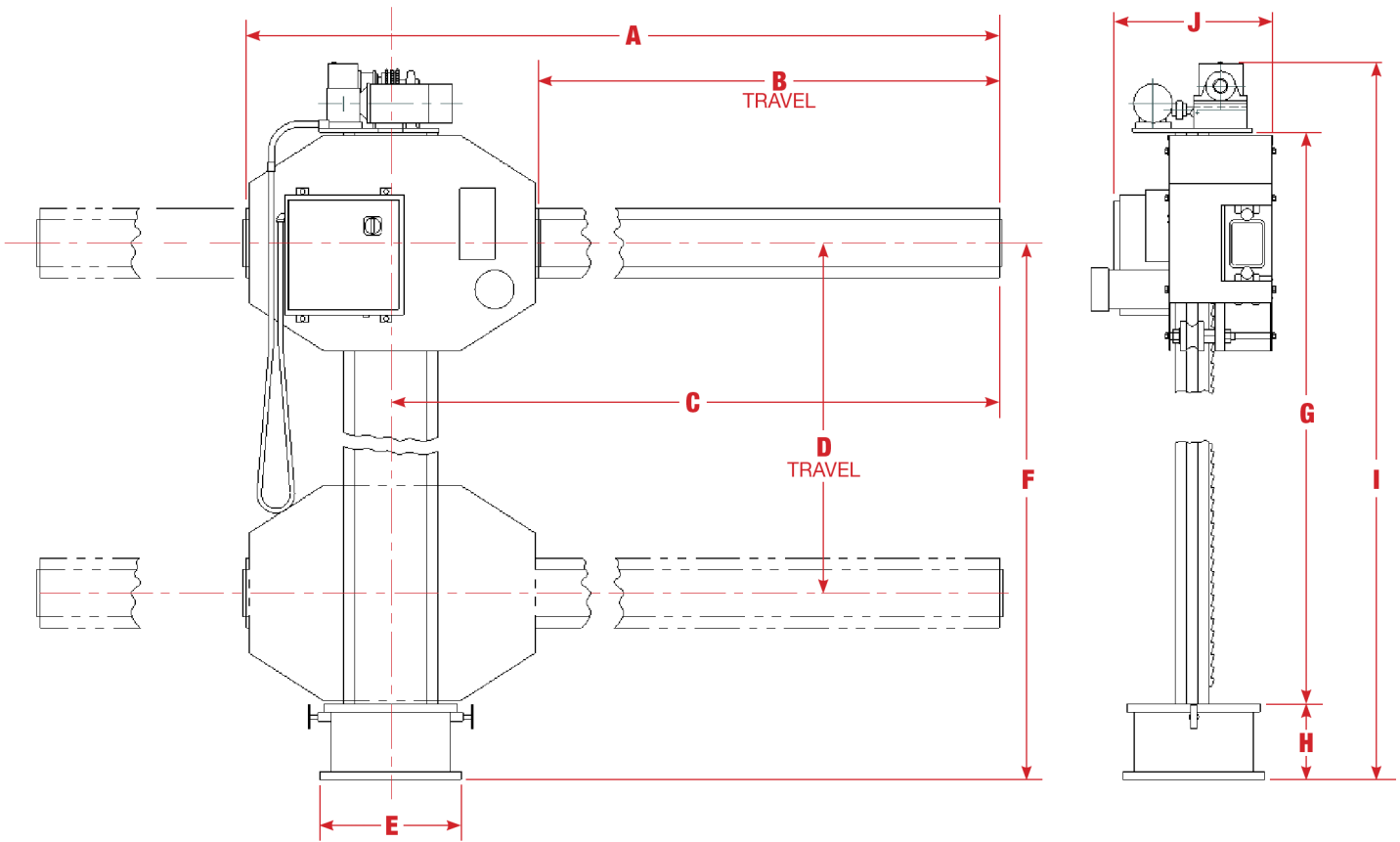
## LD Capacity Ratings

LD Model	Rating
MA-44	300/600 lbs
MA-66	300/600 lbs
MA-88	300/600 lbs

**Note:** The X-base or Travel Car are not included on the MA-88LD Manipulator, but can be provided as an option. The Ram Motor is standard on the MA-88LD Manipulator.



# Medium Duty Manipulators



## MD Dimensions

Model	Size	A	B	C	D	E	F	G	H	I	J
MA-66 MD	6 x 6	10 ft.	6 ft.	8 ft.	6 ft.	23.75 in.	8.6 ft.	9 ft.	11-11/16 in.	11 ft.	23 in.
MA-88 MD	8 x 8	12 ft.	8 ft.	10 ft.	8 ft.	23.75 in.	10.6 ft.	11 ft.	11-11/16 in.	13 ft.	23 in.
MA-99 MD	9 x 9	13 ft.	9 ft.	11 ft.	9 ft.	23.75 in.	11.6 ft.	12 ft.	11-11/16 in.	14 ft.	23 in.
MA-1010 MD	10 x 10	14 ft.	10 ft.	12 ft.	10 ft.	23.75 in.	12.6 ft.	13 ft.	11-11/16 in.	15 ft.	23 in.

*Note: Height will change when the manipulator is placed on either an X Base or Travel Car.*

## MD Stationary Base Version

	MA-66 MD	MA-88 MD	MA-99 MD	MA-1010 MD
Vertical Stroke	6 ft.	8 ft.	9 ft.	10 ft.
Horizontal Stroke	6 ft.	8 ft.	9 ft.	10 ft.
Overall Machine Height	120.3 in.	144.5 in.	156.5 in.	168.5 in.
Input Voltage	115V	115V	240/480V	240/480V

*Note: Dimensions are approximate and subject to change.*

## MD Capacity Ratings

MD Model	Rating
MA-66	650/1300 lbs
MA-88	600/1200 lbs
MA-99	600/1200 lbs
MA-1010	550/1100 lbs
MA-1212	550/1100 lbs

## Specifications

**Payload:** See Chart

**Lift Motor:** 3/4 HP AC Brake Motor

**Ram Motor:** 1/2 HP AC

**Mast:** Up-Off-Down

**Horizontal Ram Speed:** 4-100 inches per minute

**Vertical Mast Speed:** 30 inches per minute

## Options:

**Additional Travel:** Vertical and/or Horizontal

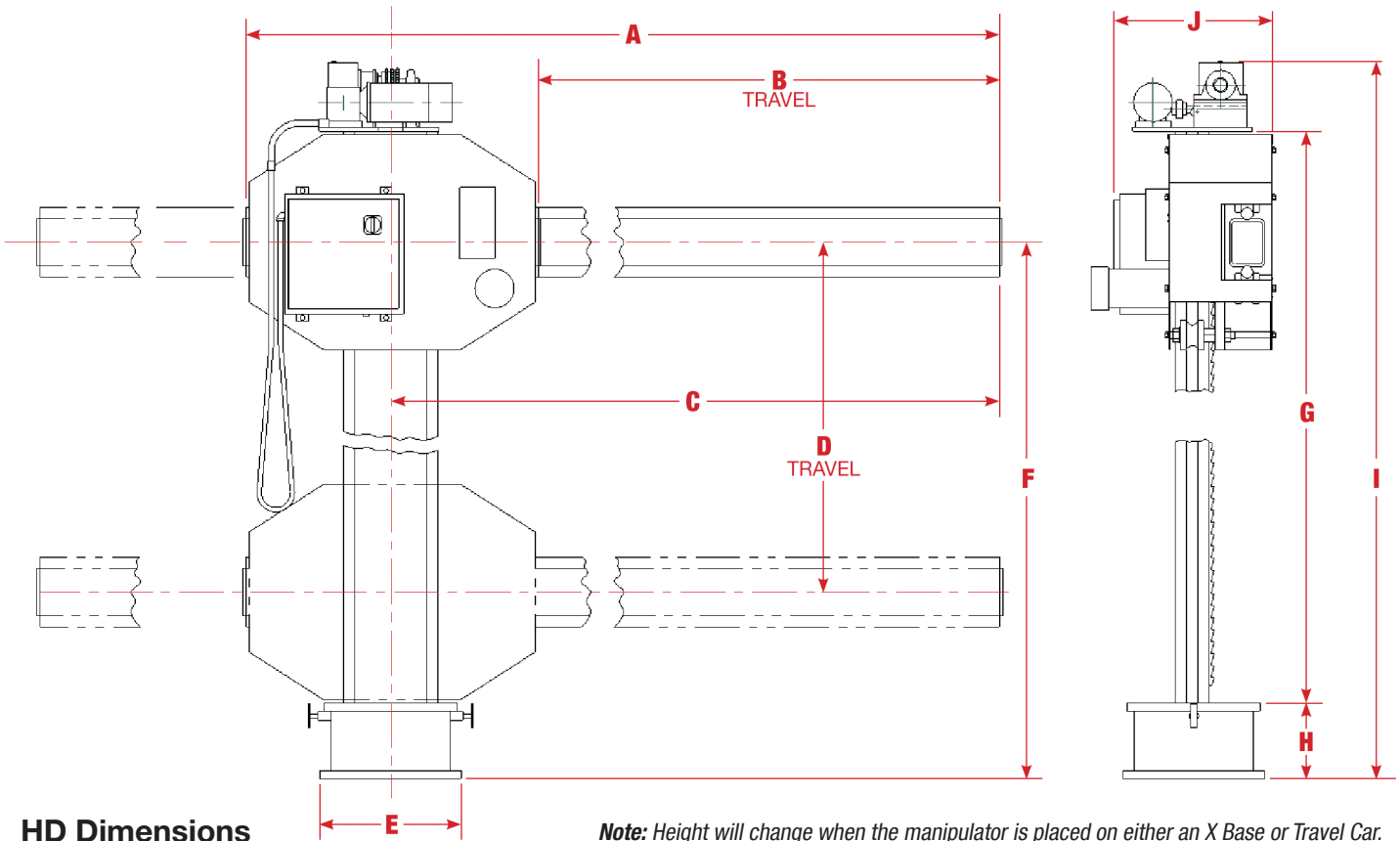
**Powered Travel Car and Track**

**Digital LED Ram Speed Indicator**

*See last page for more information*



# Heavy Duty Manipulators



## HD Dimensions

Note: Height will change when the manipulator is placed on either an X Base or Travel Car.

Model	Size	A	B	C	D	E	F	G	H	I	J
MA-66 HD	6 x 6	10 ft.	6 ft.	8 ft.	6 ft.	23.75 in.	8.6 ft.	9 ft.	13 in.	11 ft.	27 in.
MA-88 HD	8 x 8	12 ft.	8 ft.	10 ft.	8 ft.	23.75 in.	10.6 ft.	11 ft.	13 in.	13 ft.	27 in.
MA-99 HD	9 x 9	13 ft.	9 ft.	11 ft.	9 ft.	23.75 in.	11.6 ft.	12 ft.	13 in.	14 ft.	27 in.
MA-1010 HD	10 x 10	14 ft.	10 ft.	12 ft.	10 ft.	23.75 in.	12.6 ft.	13 ft.	13 in.	15 ft.	27 in.
MA-1212 HD	12 x 12	16 ft.	12 ft.	14 ft.	12 ft.	23.75 in.	14.6 ft.	15 ft.	13 in.	17 ft.	27 in.
MA-1414 HD	14 x 14	18 ft.	14 ft.	16 ft.	14 ft.	23.75 in.	16.6 ft.	17 ft.	13 in.	19 ft.	27 in.
MA-1616 HD	16 x 16	20 ft.	16 ft.	18 ft.	16 ft.	23.75 in.	18.6 ft.	19 ft.	13 in.	21 ft.	27 in.

Note: Dimensions are approximate and subject to change.

## HD Stationary Base Version (Note: without X Base or Travel Car)

	MA-66 HD	MA-88 HD	MA-99 HD	MA-1010 HD	MA-1212 HD	MA-1414 HD	MA-1616 HD
Vertical Stroke	6 ft.	8 ft.	9 ft.	10 ft.	12 ft.	14 ft.	16 ft.
Horizontal Stroke	6 ft.	8 ft.	9 ft.	10 ft.	12 ft.	14 ft.	16 ft.
Overall Machine Height	134 in.	158 in.	170 in.	182 in.	206 in.	230 in.	254 in.

## Specifications

Payload: See Chart

Lift Motor: 1 HP AC Brake Motor

Ram Motor: 3/4 HP AC

Mast: Up-Off-Down

Horizontal Ram Speed: 3-90 inches per minute

Vertical Mast Speed: 40 inches per minute

Input Voltage: 240/480V

## Options:

Additional Travel: Vertical and/or Horizontal

Powered Travel Car and Track

Digital LED Ram Speed Indicator

See last page for more information

## HD Capacity Ratings

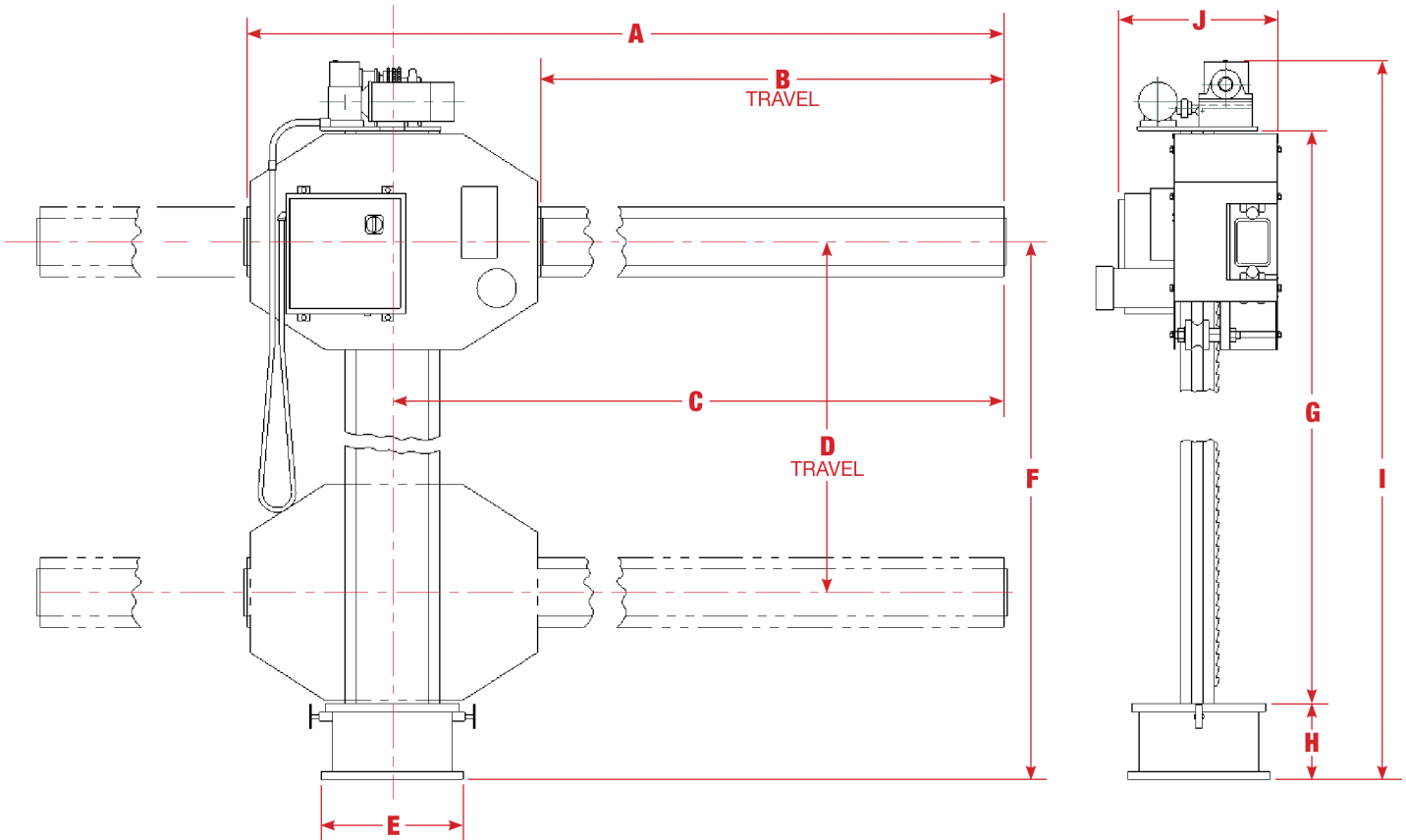
HD Model	Rating	HD Model	Rating
MA-66	850/1700 lbs	MA-1212	750/1500 lbs
MA-88	850/1700 lbs	MA-1414	750/1500 lbs
MA-99	800/1600 lbs	MA-1616	600/1200 lbs
MA-1010	800/1600 lbs	<b>NEW CAPACITY RATING!</b>	

918-834-5591

**PrestonEastin**

sales@prestoneastin.com  
www.prestoneastin.com

# Super Heavy Duty Manipulators



## SHD Dimensions

Model	Size	A	B	C	D	E	F	G	H	I	J
MA-1414 SHD	14 x 14	223 in.	14 ft.	195 in.	14 ft.	36 in.	17 ft.	17.6 ft.	14 in.	19.6 ft.	27 in.
MA-1616 SHD	16 x 16	247 in.	16 ft.	219 in.	16 ft.	36 in.	19 ft.	19.6 ft.	14 in.	21.6 ft.	27 in.
MA-1818 SHD	18 x 18	271 in.	18 ft.	243 in.	18 ft.	36 in.	21 ft.	21.6 ft.	14 in.	23.6 ft.	27 in.

*Note: Height will change when the manipulator is placed on either an X Base or Travel Car.*

## SHD Stationary Base Version

	MA-1414 SHD	MA-1616 SHD	MA-1818 SHD
Vertical Stroke	14 ft.	16 ft.	18 ft.
Horizontal Stroke	14 ft.	16 ft.	18 ft.
Overall Machine Height	234 in.	258 in.	282 in.

*Note: Height will change when the manipulator is placed on either an X Base or Travel Car.*

*Note: Dimensions are approximate and subject to change.*

## SHD Capacity Ratings

SHD Model	Rating
MA-1414	1300/2600 lbs
MA-1616	1200/2400 lbs
MA-1818	1100/2200 lbs

**NEW CAPACITY RATING!**

## Specifications

**Payload:** See Chart

**Lift Motor:** 1-1/2 HP Brake Motor

**Ram Motor:** 3/4 HP AC

**Mast:** Up-Off-Down

**Horizontal Ram Speed:** 3-90 inches per minute

**Vertical Mast Speed:** 38 inches per minute

**Input Voltage:** 240/480V

## Options:

**Additional Travel:** Vertical and/or Horizontal Powered Travel Car and Track

**Digital LED Ram Speed Indicator**

*See last page for more information*



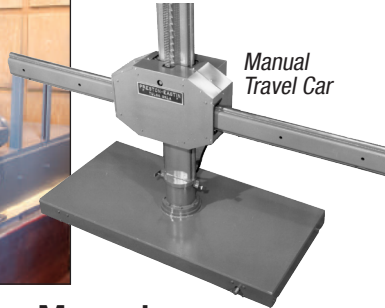
# Manipulator Options

## Travel Cars

Manual or powered travel cars expand operational capabilities of manipulators for pipe spools, pressure vessel, pole production or any type of production where the part length exceeds the normal operational reach of the manipulator. Travel cars are supplied with v-groove or industrial rail wheels. Standard configurations in operation depend on the size of the manipulator.



Motorized Travel Car



Manual Travel Car

## OPTIONS Travel Car - Manual

Item	For Use With
TCV-39/60 Travel Car	MA-66 and MA-88 MD
TCV-39 / 96 Travel Car	MA-99 and MA-1010 MD
TSV-1 Track	Track Section, 20 Ft. (TCV-39/60 & 39/96)
CSA-1	Constant Speed Power Option
VSA-1	Variable Speed Power Option

## OPTIONS Travel Car - Powered

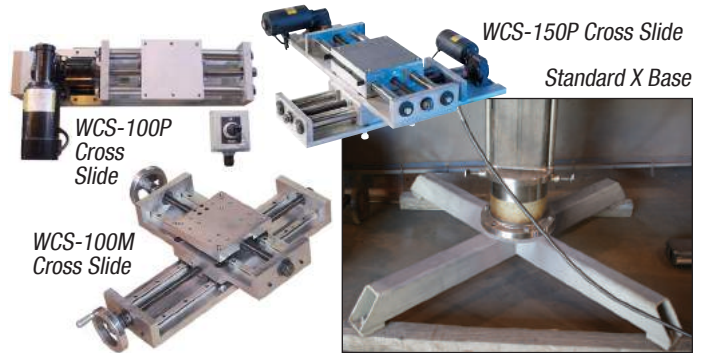
Item	For Use With
TCP - 56 Travel Car	HD Series
TCP - 84 Travel Car	SHD Series
TSP - 56 Track	Track Section, 20 Ft (TCP - 56 and 84)

## OPTIONS - Miscellaneous

Item	Used As
	Mounting of Welding Equipment (per single head)
SA-180	180° Swivel Attachment
SI-LED	LED Speed Indicator (inches per minute)
SI-DAM	Dial-A-Matic-Speed Indicator

## OPTIONS - Motorized Base Versions

	Medium Duty Manipulator (MD)	Heavy Duty Manipulator (HD)	Super Heavy Duty Manipulator (SHD)
<b>Travel Car</b>	TCV-39/60	TCP-56	TCP-84
<b>Base Speed</b>	4.0 to 100 IPM	3.0 to 90 IPM	3.0 to 90 IPM
<b>Centerline Distance Rails</b>	39" center-to-center	Inside Dimension is 56" (Crane Rail)	Inside Dimension is 84" (Crane Rail)
<b>Rail Type</b>	V Groove track	Crane Rail	Crane Rail
<b>Base Height</b>	10-3/4"	21-1/4"	21-1/4"



## OPTIONS - Cross Slides

Manual - Single	Description
WCS-100M-6 Cross Slide	100lbs @ 6 inches, Manual, 6" Travel
WCS-100M-12 Cross Slide	100lbs @ 6 inches, Manual, 12" Travel
WCS-100M-18 Cross Slide	100lbs @ 6 inches, Manual, 18" Travel
WCS-150M-6 Cross Slide	250lbs @ 6 inches, Manual, 6" Travel
WCS-150M-12 Cross Slide	250lbs @ 6 inches, Manual, 12" Travel
WCS-150M-18 Cross Slide	250lbs @ 6 inches, Manual, 18" Travel
Powered - Single	
WCS-100P-6 Cross Slide	100lbs @ 6 inches, Powered, 6" Travel
WCS-100P-12 Cross Slide	100lbs @ 6 inches, Powered, 12" Travel
WCS-100P-18 Cross Slide	100lbs @ 6 inches, Powered, 18" Travel
WCS-150P-6 Cross Slide	250lbs @ 6 inches, Powered, 6" Travel
WCS-150P-12 Cross Slide	250lbs @ 6 inches, Powered, 12" Travel
WCS-150P-18 Cross Slide	250lbs @ 6 inches, Powered, 18" Travel

*We can build a Compound Cross Slide from any combination of manual or power cross slides listed above. We can also customize additional travel.*

*Note: Dimensions are approximate and subject to change.*

## OPTIONS - 4 Leg Free Standing Base (X-Base)

For use with models below	
MA-44/66 HD	MA-1212 HD
MA-88 LD	MA-1414 HD
MA-66/88 MD	MA-1414 SHD
MA-99 MD/1010 MD	MA-1616 SHD
MA-99 HD/1010 HD	MA-1818 SHD





PRESTON EASTIN  
TULSA OKLA



***PrestonEastin***

9490 North Ridgeway Street  
Tulsa, OK 74131

[sales@prestoneastin.com](mailto:sales@prestoneastin.com)  
[prestoneastin.com](http://prestoneastin.com)

(918) 834-5591  
Fax (918) 834-5595