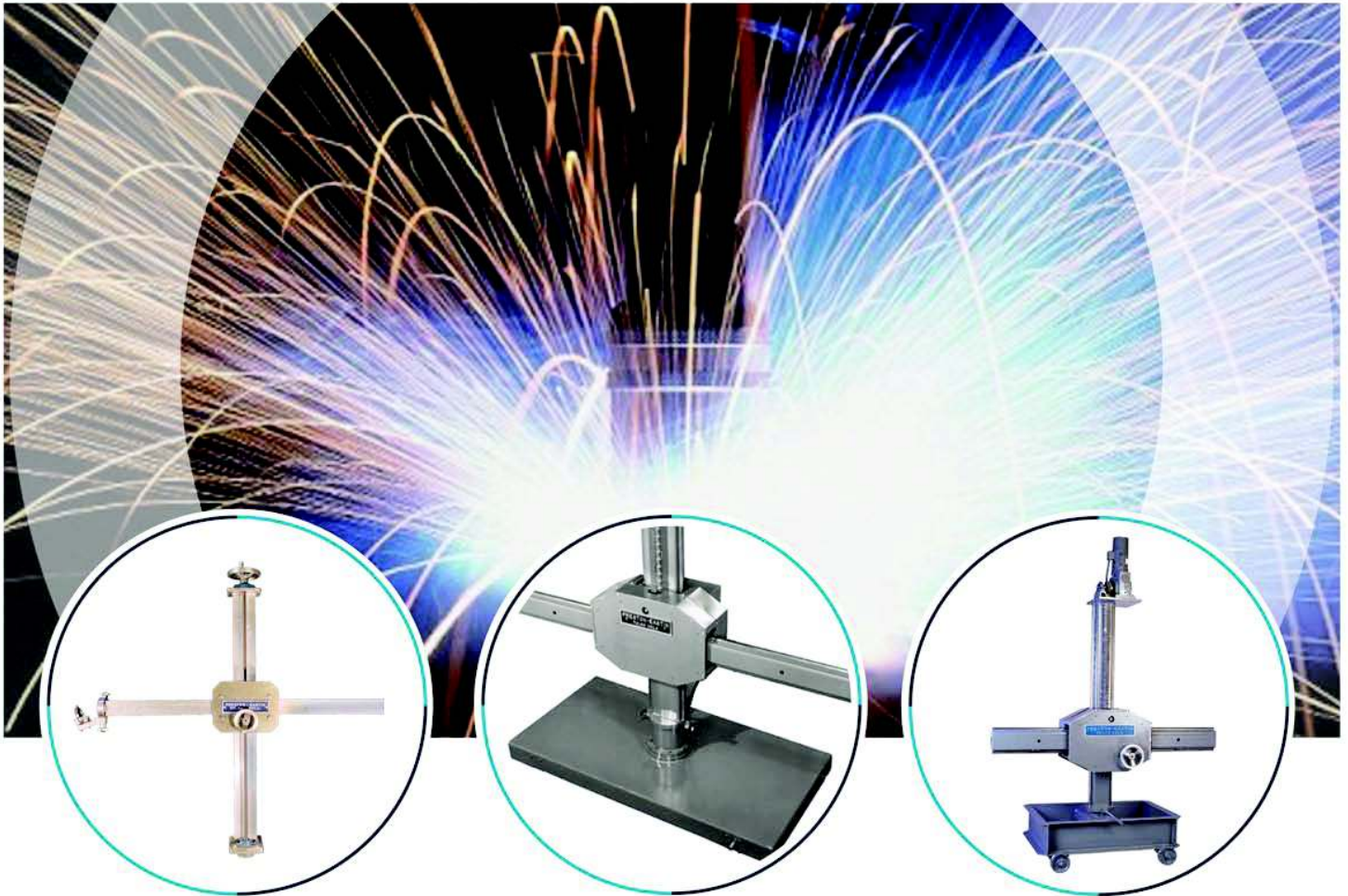


**PRESTON EASTIN
MANIPULATORS**

PrestonEastin



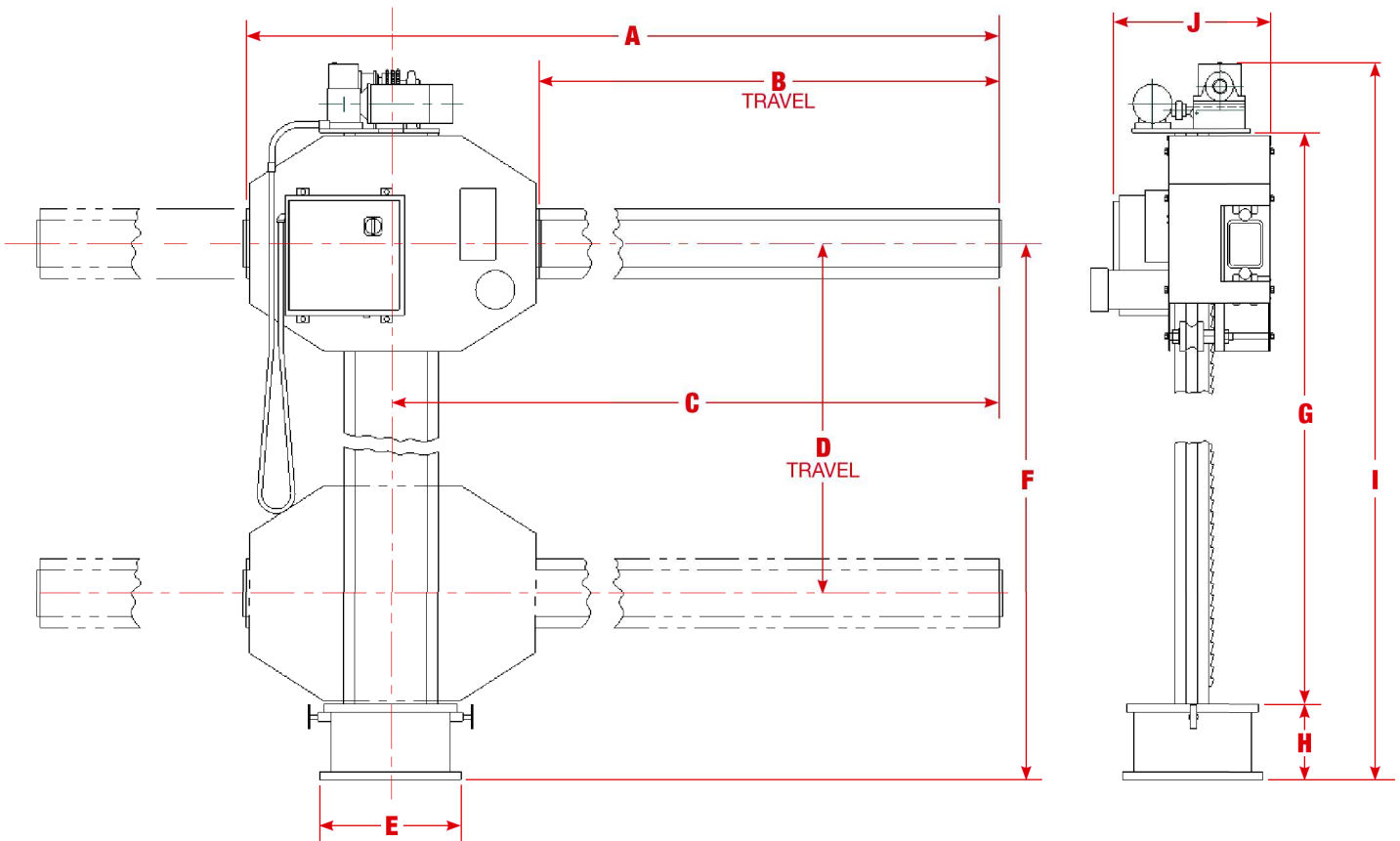
- *Industry Leading 3-Year Warranty*
- *Increased capacity ratings!*
- *Variable frequency drives standard*
- *Now available with wireless controls*

Email: sales@prestoneastin.com
www.prestoneastin.com



**CALL US TODAY!
(918)216-1941**

Light Duty Manipulators



LD Dimensions

| Model | Size | A | B | C | D | E | F | G | H | I | J |
|----------|-------|---------|-------|---------|-------|-----------|--------|--------|-------|--------|--------|
| MA-44 LD | 4 x 4 | 85 in. | 4 ft. | 66 in. | 4 ft. | 14.75 in. | 6 ft. | 6 ft. | 1 ft. | 8 ft. | 23 in. |
| MA-66 LD | 6 x 6 | 109 in. | 6 ft. | 90 in. | 6 ft. | 14.75 in. | 8 ft. | 8 ft. | 1 ft. | 10 ft. | 23 in. |
| MA-88 LD | 8 x 8 | 133 in. | 8 ft. | 114 in. | 8 ft. | 14.75 in. | 10 ft. | 10 ft. | 1 ft. | 12 ft. | 23 in. |

Note: Height will change when the manipulator is placed on either an X Base or Travel Car.

Specifications

Payload: See Chart

Lift Motor: 1/3 hp brake motor

Ram Motor: 1/4 hp AC Motor

Mast: Up-Down

Rotation of Base: Manual

Horizontal Ram Speed: 0-60 IPM

Vertical Mast Speed:
36 inches per minute

Input Voltage: 115V

Powered Travel Car Option

Base Speed: 0-60 IPM (Optional)

Centerline distance rails: 34" center-to-center

Rail Type: V Groove track

Base Height: 14-7/8"

The fixed base OR Manual travel car are standard (customer choice)

Options:

Additional Travel: Vertical and/or Horizontal

Manual Ram with 8" Handwheel

Digital LED Ram Speed Indicator

See Last Page for More Information

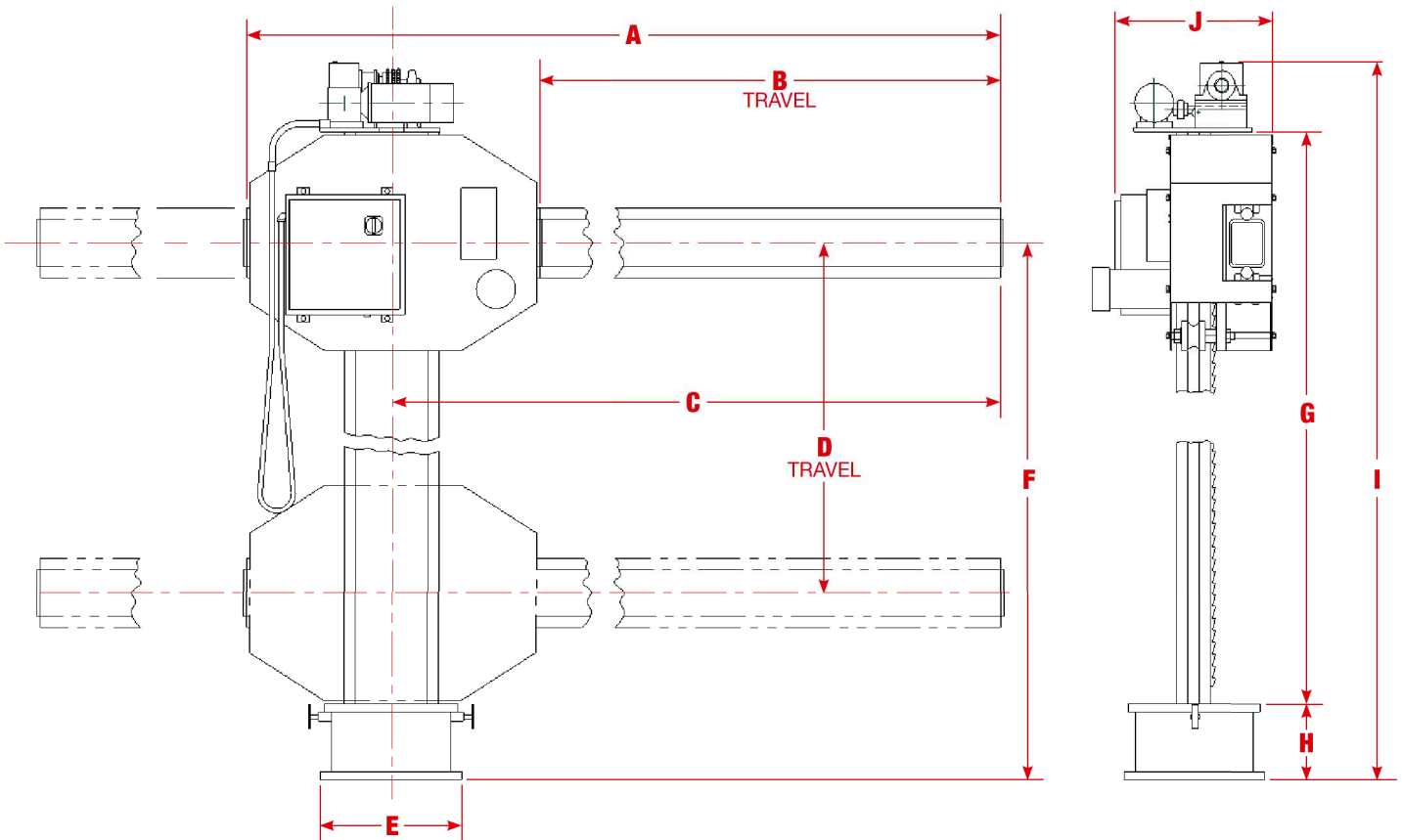
LD Capacity Ratings

| LD Model | Rating |
|----------|-------------|
| MA-44 | 300/600 lbs |
| MA-66 | 300/600 lbs |
| MA-88 | 300/600 lbs |

Note: The X-base or Travel Car are not included on the MA-88LD Manipulator, but can be provided as an option. The Ram Motor is standard on the MA-88LD Manipulator.



Medium Duty Manipulators



MD Dimensions

| Model | Size | A | B | C | D | E | F | G | H | I | J |
|------------|---------|--------|--------|--------|--------|-----------|----------|--------|--------------|--------|--------|
| MA-66 MD | 6 x 6 | 10 ft. | 6 ft. | 8 ft. | 6 ft. | 23.75 in. | 8.6 ft. | 9 ft. | 11-11/16 in. | 11 ft. | 23 in. |
| MA-88 MD | 8 x 8 | 12 ft. | 8 ft. | 10 ft. | 8 ft. | 23.75 in. | 10.6 ft. | 11 ft. | 11-11/16 in. | 13 ft. | 23 in. |
| MA-99 MD | 9 x 9 | 13 ft. | 9 ft. | 11 ft. | 9 ft. | 23.75 in. | 11.6 ft. | 12 ft. | 11-11/16 in. | 14 ft. | 23 in. |
| MA-1010 MD | 10 x 10 | 14 ft. | 10 ft. | 12 ft. | 10 ft. | 23.75 in. | 12.6 ft. | 13 ft. | 11-11/16 in. | 15 ft. | 23 in. |

Note: Height will change when the manipulator is placed on either an X Base or Travel Car.

MD Stationary Base Version

| | MA-66 MD | MA-88 MD | MA-99 MD | MA-1010 MD |
|------------------------|-----------|-----------|-----------|------------|
| Vertical Stroke | 6 ft. | 8 ft. | 9 ft. | 10 ft. |
| Horizontal Stroke | 6 ft. | 8 ft. | 9 ft. | 10 ft. |
| Overall Machine Height | 120.3 in. | 144.5 in. | 156.5 in. | 168.5 in. |
| Input Voltage | 115V | 115V | 240/480V | 240/480V |

Note: Dimensions are approximate and subject to change.

MD Capacity Ratings

| MD Model | Rating |
|----------|--------------|
| MA-66 | 650/1300 lbs |
| MA-88 | 600/1200 lbs |
| MA-99 | 600/1200 lbs |
| MA-1010 | 550/1100 lbs |
| MA-1212 | 550/1100 lbs |

Specifications

Payload: See Chart

Lift Motor: 3/4 HP AC Brake Motor

Ram Motor: 1/2 HP AC

Mast: Up-Off-Down

Horizontal Ram Speed: 4-100 inches per minute

Vertical Mast Speed: 30 inches per minute

Options:

Additional Travel: Vertical and/or Horizontal

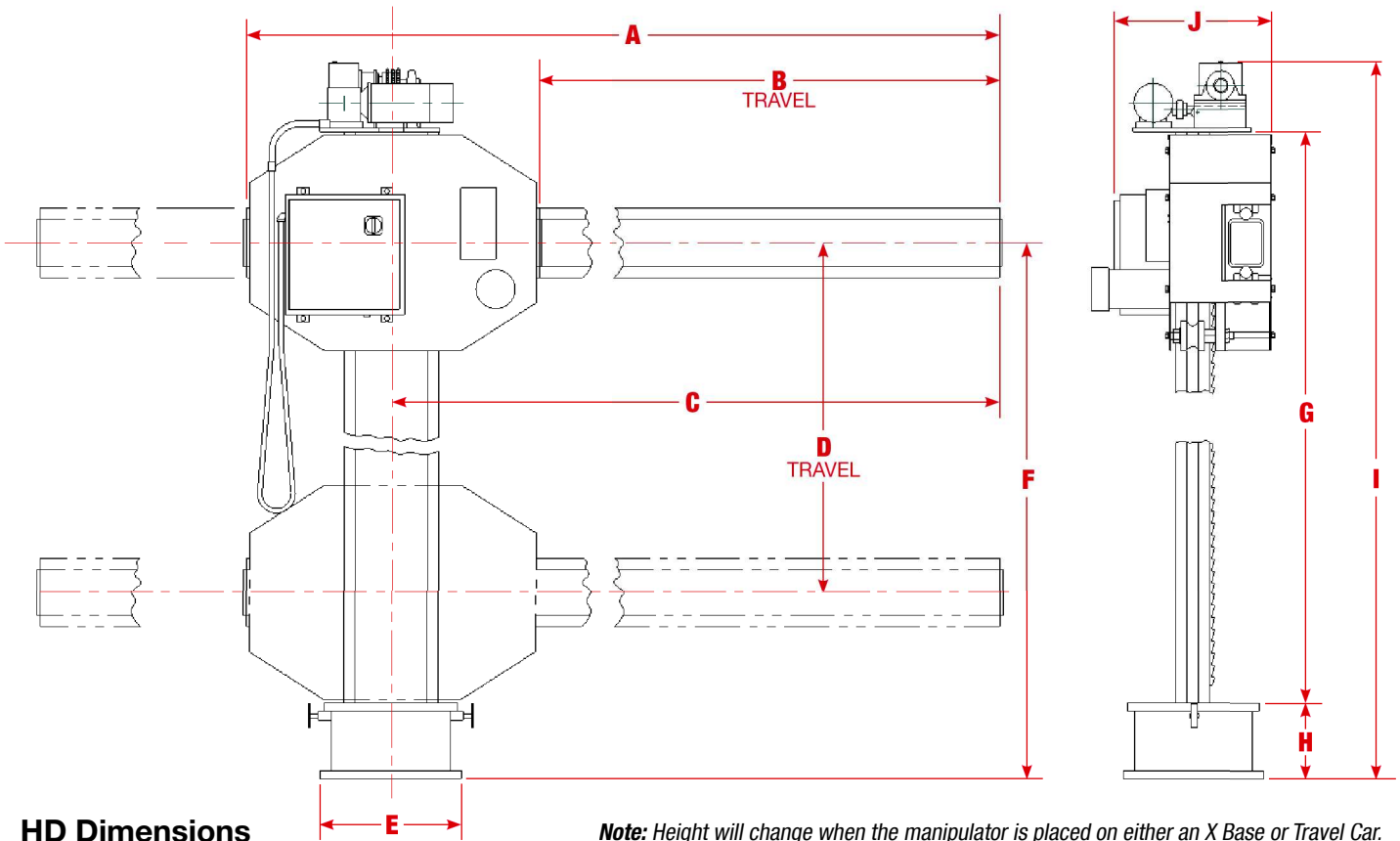
Powered Travel Car and Track

Digital LED Ram Speed Indicator

See last page for more information



Heavy Duty Manipulators



HD Dimensions

Note: Height will change when the manipulator is placed on either an X Base or Travel Car.

| Model | Size | A | B | C | D | E | F | G | H | I | J |
|------------|---------|--------|--------|--------|--------|-----------|----------|--------|--------|--------|--------|
| MA-66 HD | 6 x 6 | 10 ft. | 6 ft. | 8 ft. | 6 ft. | 23.75 in. | 8.6 ft. | 9 ft. | 13 in. | 11 ft. | 27 in. |
| MA-88 HD | 8 x 8 | 12 ft. | 8 ft. | 10 ft. | 8 ft. | 23.75 in. | 10.6 ft. | 11 ft. | 13 in. | 13 ft. | 27 in. |
| MA-99 HD | 9 x 9 | 13 ft. | 9 ft. | 11 ft. | 9 ft. | 23.75 in. | 11.6 ft. | 12 ft. | 13 in. | 14 ft. | 27 in. |
| MA-1010 HD | 10 x 10 | 14 ft. | 10 ft. | 12 ft. | 10 ft. | 23.75 in. | 12.6 ft. | 13 ft. | 13 in. | 15 ft. | 27 in. |
| MA-1212 HD | 12 x 12 | 16 ft. | 12 ft. | 14 ft. | 12 ft. | 23.75 in. | 14.6 ft. | 15 ft. | 13 in. | 17 ft. | 27 in. |
| MA-1414 HD | 14 x 14 | 18 ft. | 14 ft. | 16 ft. | 14 ft. | 23.75 in. | 16.6 ft. | 17 ft. | 13 in. | 19 ft. | 27 in. |
| MA-1616 HD | 16 x 16 | 20 ft. | 16 ft. | 18 ft. | 16 ft. | 23.75 in. | 18.6 ft. | 19 ft. | 13 in. | 21 ft. | 27 in. |

Note: Dimensions are approximate and subject to change.

HD Stationary Base Version (Note: without X Base or Travel Car)

| | MA-66 HD | MA-88 HD | MA-99 HD | MA-1010 HD | MA-1212 HD | MA-1414 HD | MA-1616 HD |
|------------------------|----------|----------|----------|------------|------------|------------|------------|
| Vertical Stroke | 6 ft. | 8 ft. | 9 ft. | 10 ft. | 12 ft. | 14 ft. | 16 ft. |
| Horizontal Stroke | 6 ft. | 8 ft. | 9 ft. | 10 ft. | 12 ft. | 14 ft. | 16 ft. |
| Overall Machine Height | 134 in. | 158 in. | 170 in. | 182 in. | 206 in. | 230 in. | 254 in. |

Specifications

Payload: See Chart

Lift Motor: 1 HP AC Brake Motor

Ram Motor: 3/4 HP AC

Mast: Up-Off-Down

Horizontal Ram Speed: 3-90 inches per minute

Vertical Mast Speed: 40 inches per minute

Input Voltage: 240/480V

Options:

Additional Travel: Vertical and/or Horizontal

Powered Travel Car and Track

Digital LED Ram Speed Indicator

See last page for more information

HD Capacity Ratings

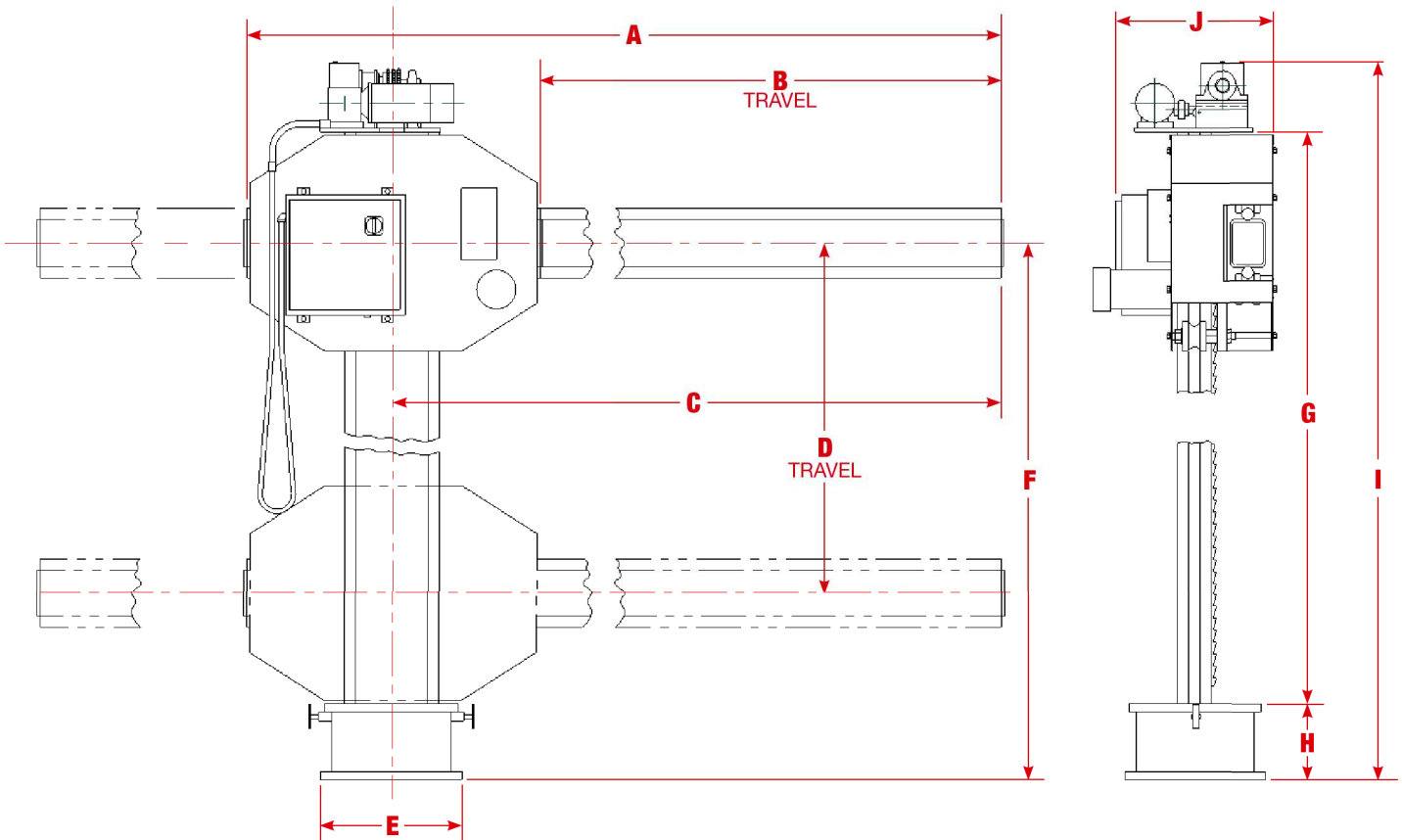
| HD Model | Rating | HD Model | Rating |
|----------|--------------|-----------------------------|--------------|
| MA-66 | 850/1700 lbs | MA-1212 | 750/1500 lbs |
| MA-88 | 850/1700 lbs | MA-1414 | 750/1500 lbs |
| MA-99 | 800/1600 lbs | MA-1616 | 600/1200 lbs |
| MA-1010 | 800/1600 lbs | NEW CAPACITY RATING! | |

918-834-5591

PrestonEastin

sales@prestoneastin.com
www.prestoneastin.com

Super Heavy Duty Manipulators



SHD Dimensions

| Model | Size | A | B | C | D | E | F | G | H | I | J |
|-------------|---------|---------|--------|---------|--------|--------|--------|----------|--------|----------|--------|
| MA-1414 SHD | 14 x 14 | 223 in. | 14 ft. | 195 in. | 14 ft. | 36 in. | 17 ft. | 17.6 ft. | 14 in. | 19.6 ft. | 27 in. |
| MA-1616 SHD | 16 x 16 | 247 in. | 16 ft. | 219 in. | 16 ft. | 36 in. | 19 ft. | 19.6 ft. | 14 in. | 21.6 ft. | 27 in. |
| MA-1818 SHD | 18 x 18 | 271 in. | 18 ft. | 243 in. | 18 ft. | 36 in. | 21 ft. | 21.6 ft. | 14 in. | 23.6 ft. | 27 in. |

Note: Height will change when the manipulator is placed on either an X Base or Travel Car.

SHD Stationary Base Version

| | MA-1414 SHD | MA-1616 SHD | MA-1818 SHD |
|------------------------|-------------|-------------|-------------|
| Vertical Stroke | 14 ft. | 16 ft. | 18 ft. |
| Horizontal Stroke | 14 ft. | 16 ft. | 18 ft. |
| Overall Machine Height | 234 in. | 258 in. | 282 in. |

Note: Height will change when the manipulator is placed on either an X Base or Travel Car.

Note: Dimensions are approximate and subject to change.

SHD Capacity Ratings

| SHD Model | Rating |
|-----------|---------------|
| MA-1414 | 1300/2600 lbs |
| MA-1616 | 1200/2400 lbs |
| MA-1818 | 1100/2200 lbs |

NEW CAPACITY RATING!

Specifications

Payload: See Chart

Lift Motor: 1-1/2 HP Brake Motor

Ram Motor: 3/4 HP AC

Mast: Up-Off-Down

Horizontal Ram Speed: 3-90 inches per minute

Vertical Mast Speed: 38 inches per minute

Input Voltage: 240/480V

Options:

Additional Travel: Vertical and/or Horizontal Powered Travel Car and Track

Digital LED Ram Speed Indicator

See last page for more information



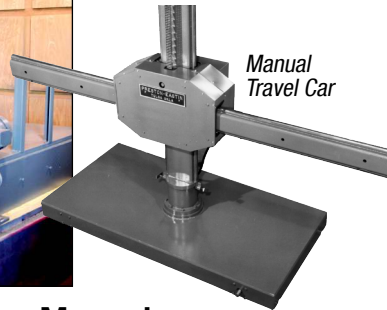
Manipulator Options

Travel Cars

Manual or powered travel cars expand operational capabilities of manipulators for pipe spools, pressure vessel, pole production or any type of production where the part length exceeds the normal operational reach of the manipulator. Travel cars are supplied with v-groove or industrial rail wheels. Standard configurations in operation depend on the size of the manipulator.



Motorized Travel Car



Manual Travel Car

OPTIONS Travel Car - Manual

| Item | For Use With |
|------------------------|---|
| TCV-39/60 Travel Car | MA-66 and MA-88 MD |
| TCV-39 / 96 Travel Car | MA-99 and MA-1010 MD |
| TSV-1 Track | Track Section, 20 Ft. (TCV-39/60 & 39/96) |
| CSA-1 | Constant Speed Power Option |
| VSA-1 | Variable Speed Power Option |

OPTIONS Travel Car - Powered

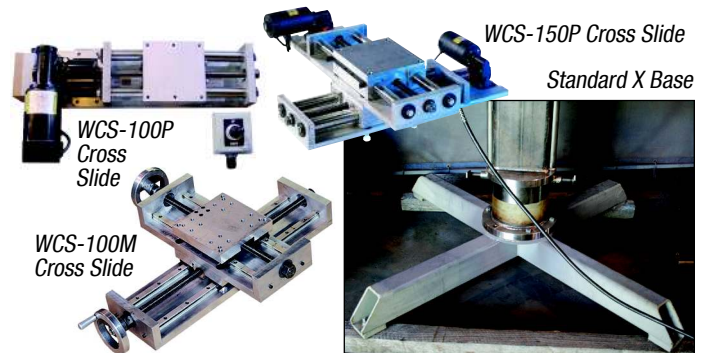
| Item | For Use With |
|---------------------|--|
| TCP - 56 Travel Car | HD Series |
| TCP - 84 Travel Car | SHD Series |
| TSP - 56 Track | Track Section, 20 Ft (TCP - 56 and 84) |

OPTIONS - Miscellaneous

| Item | Used As |
|--------|---|
| | Mounting of Welding Equipment (per single head) |
| SA-180 | 180° Swivel Attachment |
| SI-LED | LED Speed Indicator (inches per minute) |
| SI-DAM | Dial-A-Matic-Speed Indicator |

OPTIONS - Motorized Base Versions

| | Medium Duty Manipulator (MD) | Heavy Duty Manipulator (HD) | Super Heavy Duty Manipulator (SHD) |
|----------------------------------|------------------------------|--------------------------------------|--------------------------------------|
| Travel Car | TCV-39/60 | TCP-56 | TCP-84 |
| Base Speed | 4.0 to 100 IPM | 3.0 to 90 IPM | 3.0 to 90 IPM |
| Centerline Distance Rails | 39" center-to-center | Inside Dimension is 56" (Crane Rail) | Inside Dimension is 84" (Crane Rail) |
| Rail Type | V Groove track | Crane Rail | Crane Rail |
| Base Height | 10-3/4" | 21-1/4" | 21-1/4" |



OPTIONS - Cross Slides

| Manual - Single | Description |
|-------------------------|--|
| WCS-100M-6 Cross Slide | 100lbs @ 6 inches, Manual, 6" Travel |
| WCS-100M-12 Cross Slide | 100lbs @ 6 inches, Manual, 12" Travel |
| WCS-100M-18 Cross Slide | 100lbs @ 6 inches, Manual, 18" Travel |
| WCS-150M-6 Cross Slide | 250lbs @ 6 inches, Manual, 6" Travel |
| WCS-150M-12 Cross Slide | 250lbs @ 6 inches, Manual, 12" Travel |
| WCS-150M-18 Cross Slide | 250lbs @ 6 inches, Manual, 18" Travel |
| Powered - Single | |
| WCS-100P-6 Cross Slide | 100lbs @ 6 inches, Powered, 6" Travel |
| WCS-100P-12 Cross Slide | 100lbs @ 6 inches, Powered, 12" Travel |
| WCS-100P-18 Cross Slide | 100lbs @ 6 inches, Powered, 18" Travel |
| WCS-150P-6 Cross Slide | 250lbs @ 6 inches, Powered, 6" Travel |
| WCS-150P-12 Cross Slide | 250lbs @ 6 inches, Powered, 12" Travel |
| WCS-150P-18 Cross Slide | 250lbs @ 6 inches, Powered, 18" Travel |

We can build a Compound Cross Slide from any combination of manual or power cross slides listed above. We can also customize additional travel.

Note: Dimensions are approximate and subject to change.

OPTIONS - 4 Leg Free Standing Base (X-Base)

| For use with models below | |
|---------------------------|-------------|
| MA-44/66 HD | MA-1212 HD |
| MA-88 LD | MA-1414 HD |
| MA-66/88 MD | MA-1414 SHD |
| MA-99 MD/1010 MD | MA-1616 SHD |
| MA-99 HD/1010 HD | MA-1818 SHD |

