

Product Data – Turning Rolls**Preston-Eastin Model TDRA-60 HD, TIRA-60 HD****Capacity**

- Weight: 60,000 pounds driver, 60,000 pounds idler
- Turning: 180,000 pounds
- Tractive: 14,200 pounds
- Work piece diameter: 8 inches to 15 feet

Frame

- Material: Welded steel channel
- Precision: Jig-drilled roller mounting holes
- Adjustability: Six center distance settings
- Features: Adjustable roller base position
- Constant centerline option: Available

Drive

- Wheel speed: 1.5 to 43 inches per minute
- Motor: 3 HP inverter duty AC
- Motor control: Variable frequency drive

Drive train:

- Gearboxes: Welded steel, worm drive
- Worm: Hardened steel
- Worm gear: 90,000 psi aluminum bronze
- Pillow blocks: Welded steel, tapered roller bearings
- Drive shaft: Tubular steel

Wheels

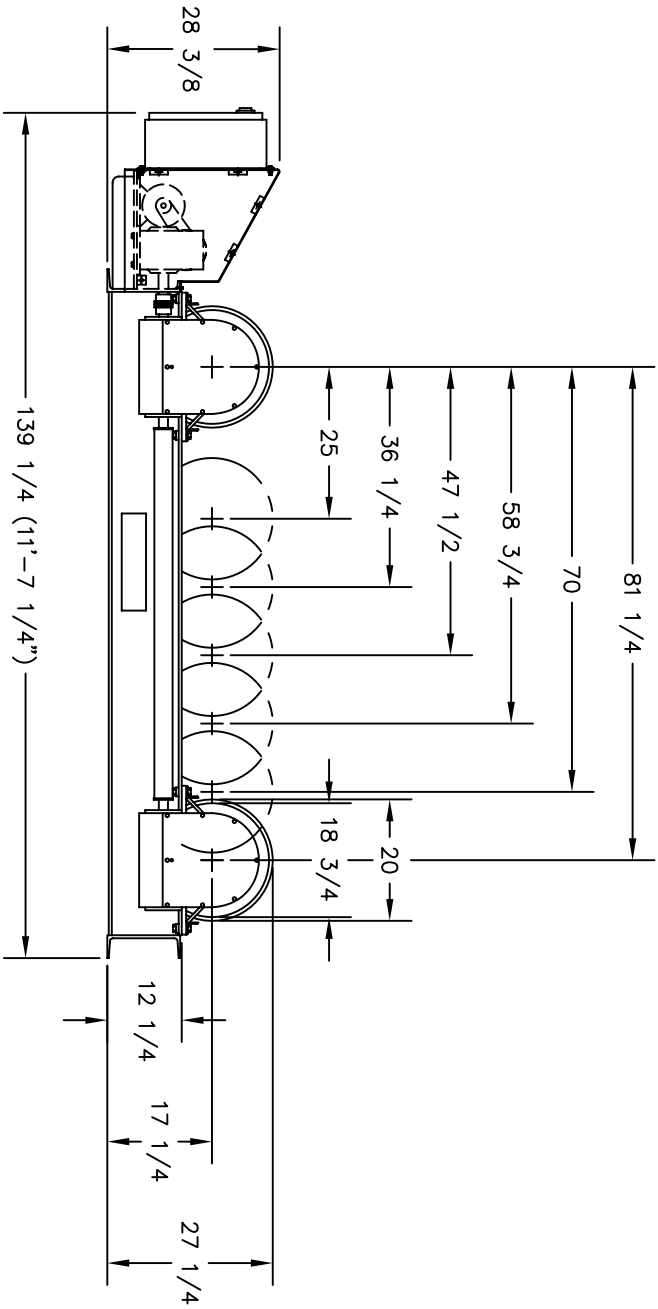
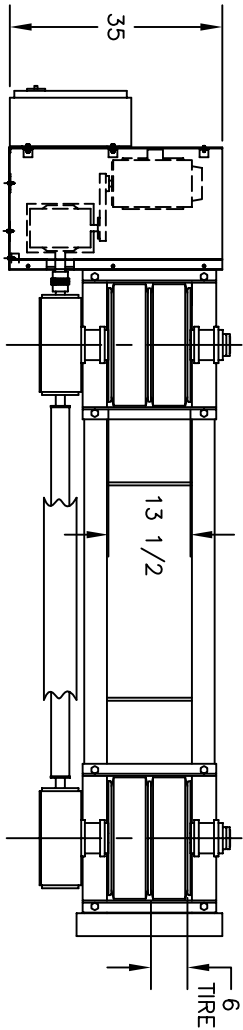
- Tires: 2/axle, 20" X 6" solid rubber, 85 durometer min.
- Backup discs: 3 steel discs per axle
- Optional wheels: Steel, urethane or phenolic

Control

- Pendant: Remote pendant with 30-foot cable
- Optional cable lengths: Available
- Speed control: One-turn potentiometer
- Directional control: Three position selector switch
- Rapid traverse: Two position selector switch
- Power: 240 OR 480V, three phase, 60 hz

Weight

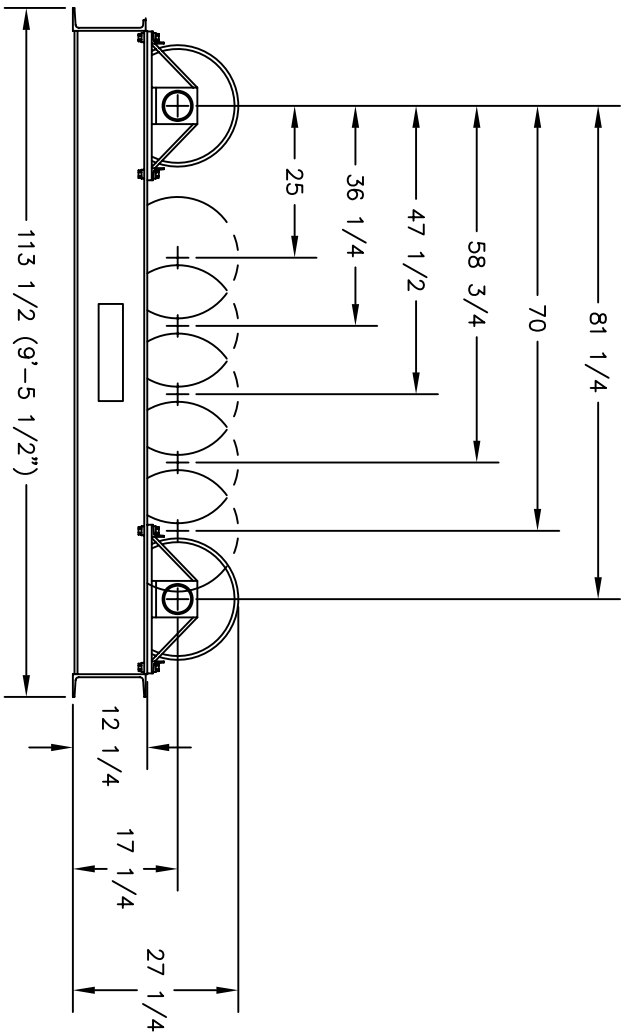
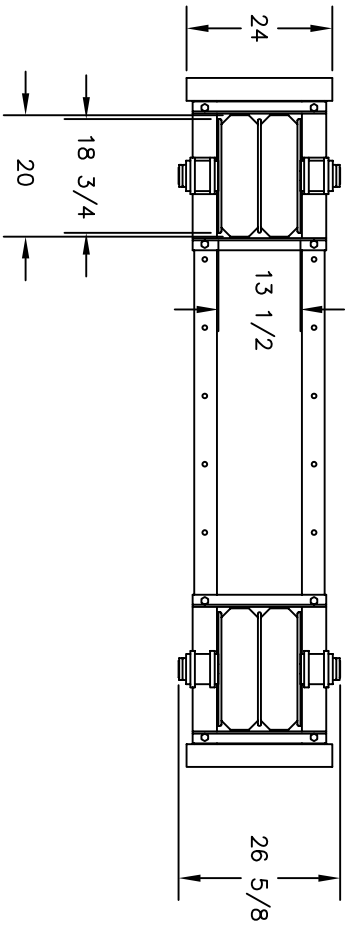
- Driver: 3100 pounds
- Idler: 2400 pounds



PRESTON-EASTON INC. OKLAHOMA		30077	
PROJECT TULSA	TITLE TDR-60 HD	DATE 2-11-80	REV. 6/05
DRAWN BY GRANT	CHECKED BY B.L.K.	DATE 2-15-89	REV. 42

THIS DRAWING AND THE DESIGNS HEREIN ARE THE PROPERTY OF PRESTON-EASTON INC. REPRODUCTION AND/OR USE WITHOUT WRITTEN PERMISSION IS PROHIBITED.

DIMENSIONAL OUTLINE



PRESTON-EASTON INC. OKLAHOMA		DIMENSIONAL OUTLINE TIRA-60 HD	
PROJECT: _____ CUSTOMER: _____	DATE: 2-19-80 DRAWN BY: J.L.K. REV: 2-13-95	PART NO.: 30081	SHEET NO.: _____ TOTAL SHEETS: _____
THIS DRAWING AND THE DESIGNS HEREIN ARE THE PROPERTY OF PRESTON-EASTON INC. REPRODUCTION AND/OR USE WITHOUT WRITTEN PERMISSION IS PROHIBITED.			