

Product Data – Positioners**Preston-Eastin Model PA-60 HD12****Capacity**

- Weight: 6000 pounds
- Offset of C.G. from table: 12 inches
- Eccentricity of C.G. from axis: 12 inches

Rotation

- Motor: Variable speed DC, 3 horsepower
- Speed range: 0.04 to 1.33 rpm
- Speed accuracy: 2% of set speed

Tilt

- Motor: AC brakemotor, 3 horsepower
- Range: 135 degrees forward tilt
- Inherent overhang: 8.75 inches

Elevation:

- Adjustment: Manual
- Range: 49 inches to 73 inches in 6 inch increments

Table:

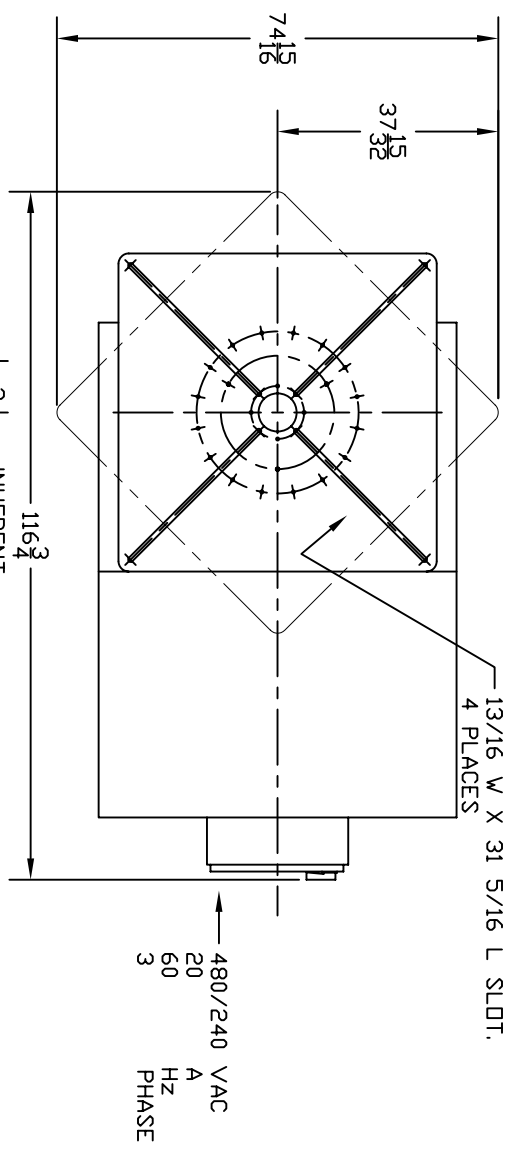
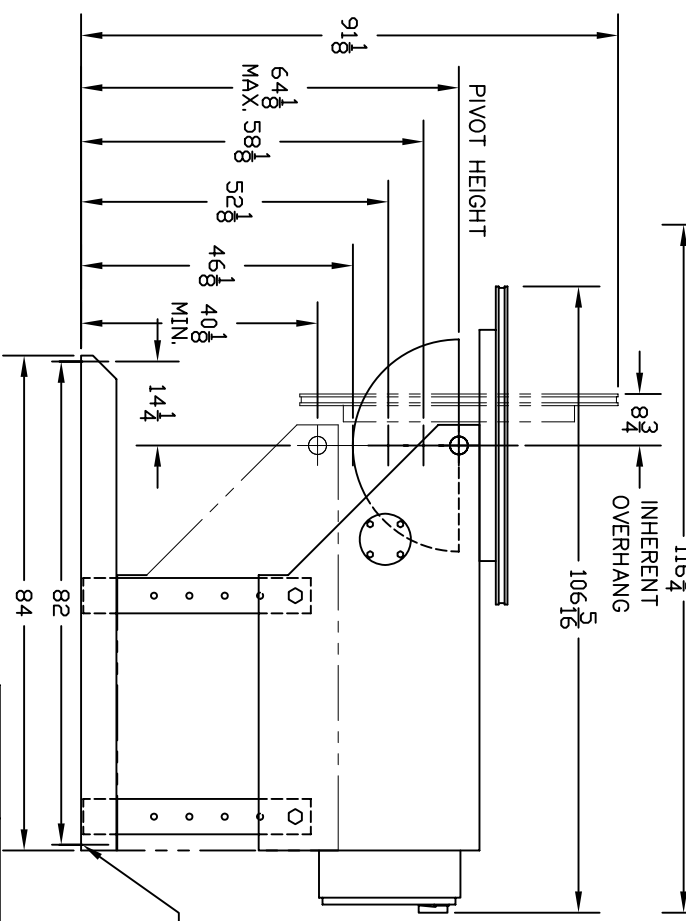
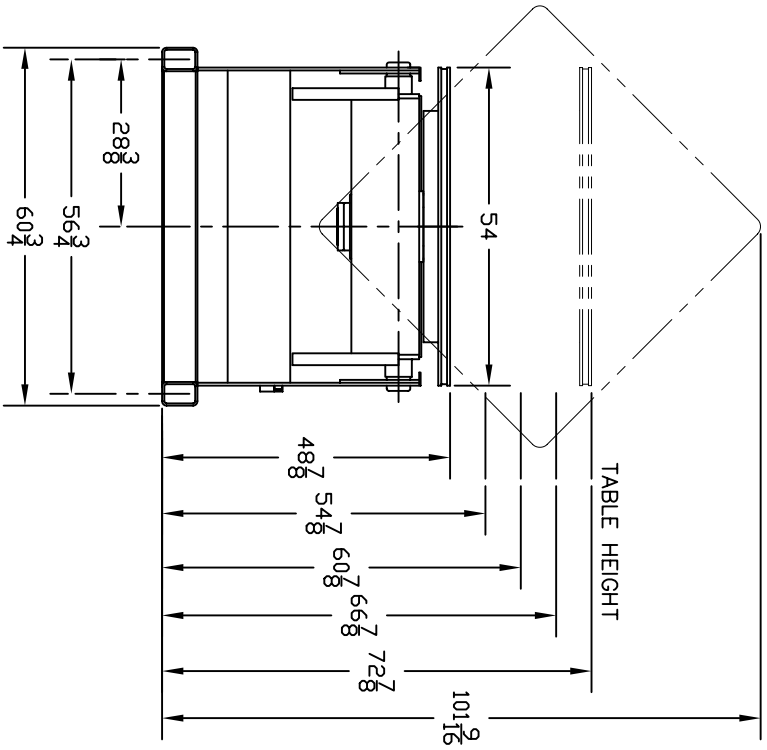
- Size: 54 inch square with four radial T-slots
- Mounting bolt size: 3/4 inch
- Bearings: Timken tapered roller bearings
- Ground: 2 each 600 amp spring-loaded mechanical ground

Controls

- Pendant: Remote pendant, 115V, w 30 foot cable
- Rotation speed: One-turn potentiometer
- Rotation mode: Two-position selector switch, WELD/RAPID
- Rotation direction: Three-position selector switch, FWD/OFF/REV
- Rotation control: START and STOP pushbuttons
- Tilt directional control: Three-position momentary switch, UP/OFF/DOWN
- Power: 460/230V, 15/30A, three phase, 60 hertz.
- Overload protection: Fused disconnect
- Foot switch: Optional

Weight

- Shipping weight: 6150 pounds



7/8 DIA.
4 PLACES

<p>PRESTON-EASTON INC.</p> <p>TULSA OKLAHOMA</p> <p>THIS DRAWING AND THE DESIGN HEREIN ARE THE PROPERTY OF PRESTON-EASTON INC. REPRODUCTION AND/OR USE WITHOUT WRITTEN PERMISSION IS PROHIBITED.</p>		<p>DIMENSIONAL OUTLINE</p> <p>PA-60 HD-12</p> <p>20247</p>	
DATE	BY	DATE	BY
11-25-79	B.A.K.	11-25-79	B.A.K.
REV. 5-25-88	B.A.K.	REV. 5-25-88	B.A.K.
REV. 1		REV. 1	