

Product Data – Positioners**Preston-Eastin Model PA-5 PT****Capacity**

- Weight: 500 pounds
- Offset of C.G. from table: 4 inches
- Eccentricity of C.G. from axis: 4 inches

Rotation

- Motor: Variable speed DC, 1/4 horsepower
- Speed range: 0.2 to 3.7 rpm
- Speed accuracy: 3% of base speed

Tilt

- Motor: Constant speed DC, 1/4 horsepower
- Range: 135 degrees forward tilt
- Inherent Overhang: 3.81 inches

Table:

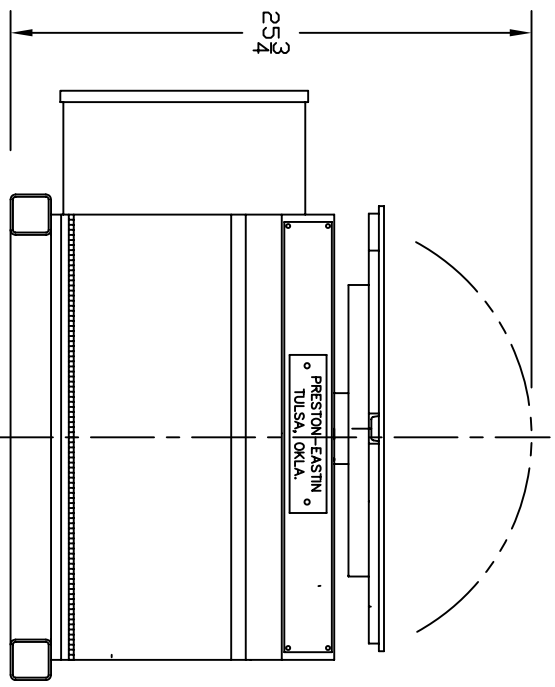
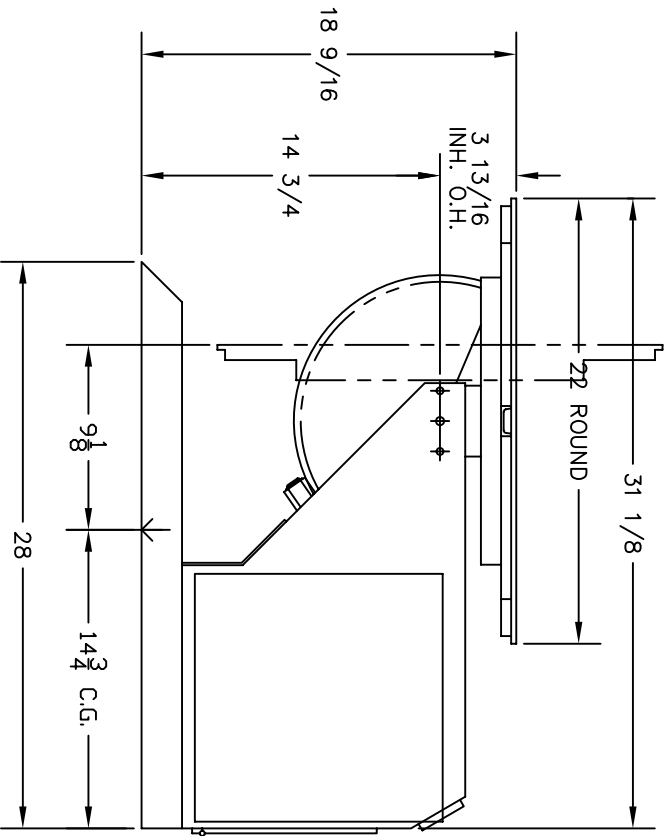
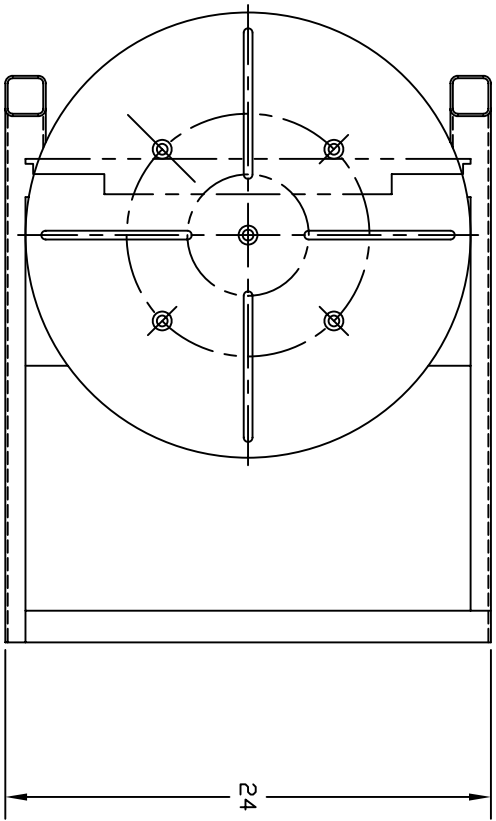
- Diameter: 22 inch round with four radial T-slots
- Mounting bolt size: 3/8 inch
- Bearings: Timken tapered roller bearings
- Ground: 600 amp spring-loaded mechanical ground

Controls

- Pendant: Remote pendant 115V, with 30'0" cable
- Speed control: One-turn potentiometer
- Directional control: Two-position selector switch
- Power: 115V, 15A, single phase, 60 hertz.
- Overload protection: Circuit breaker
- Foot switch: Optional

Weight

- Shipping weight: 325 pounds



PRESTON-EASTIN INC. OKLAHOMA		PRESTON-EASTIN INC. TULSA	
PROJECT: _____ CUSTOMER: _____	DATE: 6/10/05 DRAWN BY: _____ CHECKED BY: _____	TITLE: PA-5 PT SCALE: _____ SHEET NO.: 20974	DESIGNED BY: B. COOK DATE: 6/10/05 DRAWN BY: _____ CHECKED BY: _____

THIS DRAWING AND THE DESIGNS HEREIN ARE THE PROPERTY OF PRESTON-EASTIN INC. REPRODUCTION AND/OR USE WITHOUT WRITTEN PERMISSION IS PROHIBITED.