

**Product Data – Positioners****Preston-Eastin Model PA-30 HD6****Capacity**

- Weight: 3000 pounds
- Offset of C.G. from table: 6 inches
- Eccentricity of C.G. from axis: 6 inches

**Rotation**

- Motor: Variable speed DC, 1 horsepower
- Speed range: 0.1 to 2.0 rpm
- Speed accuracy: 2% of set speed

**Tilt**

- Motor: AC brakemotor, 3/4 horsepower
- Range: 135 degrees forward tilt
- Inherent overhang: 6 inches

**Elevation:**

- Adjustment: Manual
- Range: 33" to 53" in 4" increments (to top of table)

**Table:**

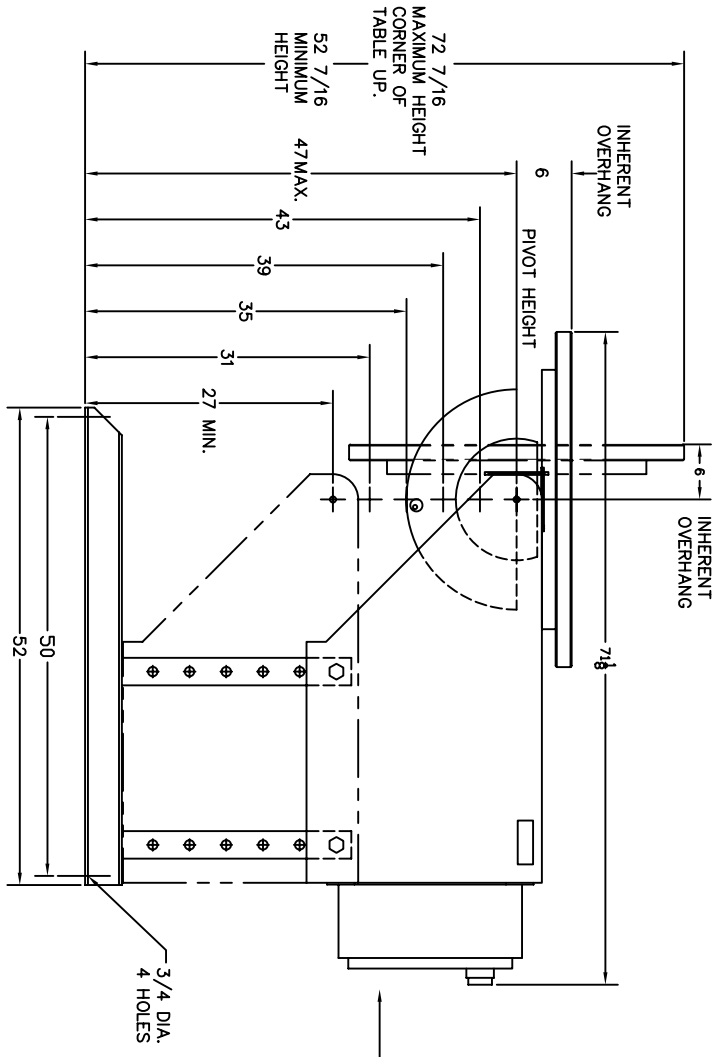
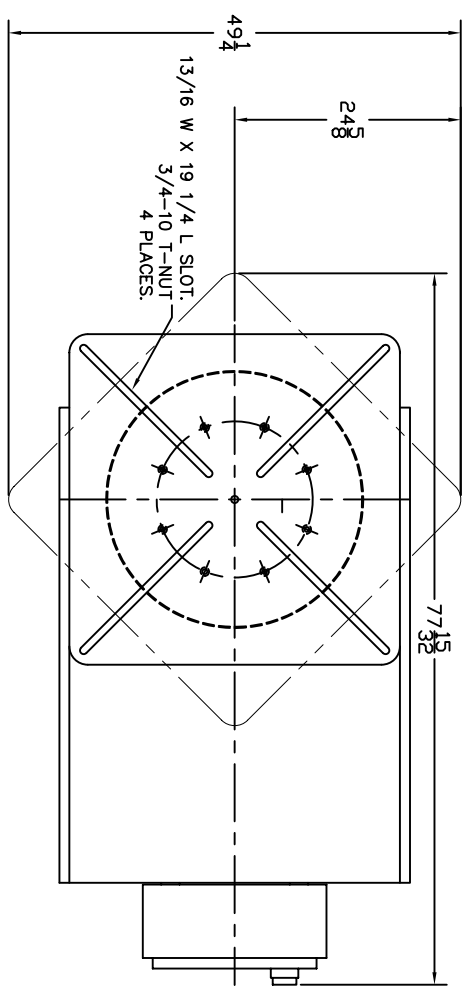
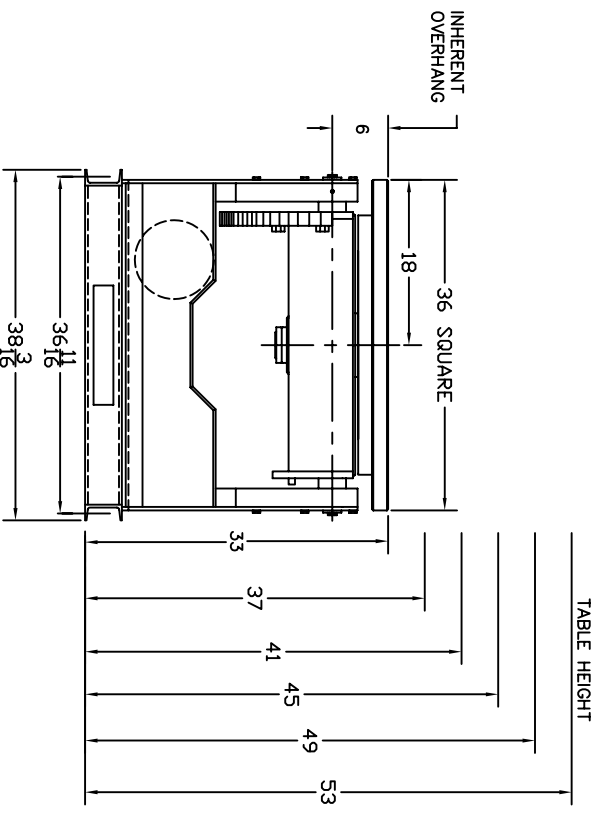
- Diameter: 36 inch square with four radial T-slots
- Mounting bolt size: 3/4 inch
- Bearings: Timken tapered roller bearings
- Ground: 600 amp spring-loaded mechanical ground

**Controls**

- Pendant: Remote pendant, 115V, w 30 foot cable
- Rotation speed: One-turn potentiometer
- Rotation mode: Two-position selector switch, WELD/RAPID
- Rotation direction: Three-position selector switch, FWD/OFF/REV
- Rotation control: START and STOP pushbuttons
- Tilt directional control: Three-position momentary switch, UP/OFF/DOWN
- Power: 460/230V, 10/20A, three phase, 60 hertz.
- Overload protection: Fused disconnect
- Foot switch: Optional

**Weight**

- Shipping weight: 2100 pounds



| DIMENSIONAL OUTLINE   |            |
|---|------------|
| DATE  | 12/04      |
| DESIGNER  | PA-30 HD-6 |
| DATE  | 10-10-97   |
| REV   | 20703      |
|   |            |
| THIS DRAWING AND THE DESIGN HEREIN ARE THE PROPERTY OF PRESTON-EASSEY INC.<br>REPRODUCTION AND/OR USE WITHOUT WRITTEN PERMISSION IS PROHIBITED. |            |