

Product Data – Positioners**Preston-Eastin Model PA-30 HD12****Capacity**

- Weight: 3000 pounds
- Offset of C.G. from table: 12 inches
- Eccentricity of C.G. from axis: 12 inches

Rotation

- Motor: Variable speed DC, 1 1/2 horsepower
- Speed range: 0.04 to 1.18 rpm
- Speed accuracy: 2% of set speed

Tilt

- Motor: AC brakemotor, 2 horsepower
- Range: 135 degrees forward tilt
- Inherent overhang: 7 inches

Elevation:

- Adjustment: Manual
- Range: 37 inches to 57 inches in 5 inch increments

Table:

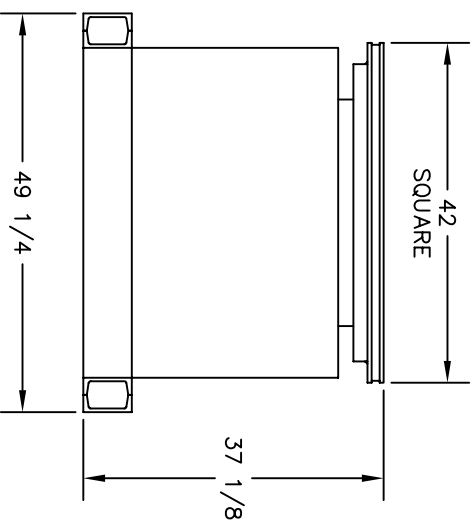
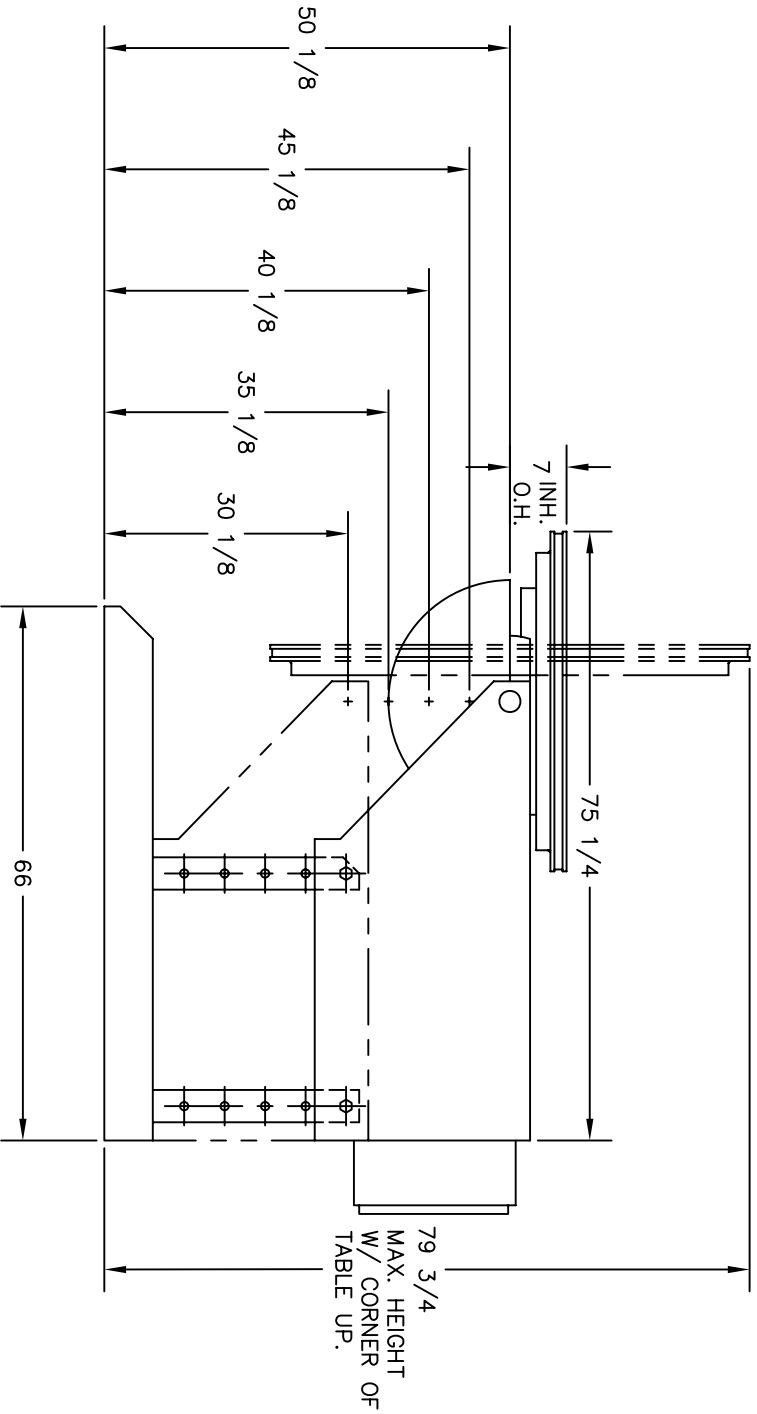
- Diameter: 42 inch square, with four radial T-slots
- Mounting bolt size: 3/4 inch
- Bearings: Timken tapered roller bearings
- Ground: 2 each 600 amp spring-loaded mechanical ground

Controls

- Pendant: Remote pendant, 115V, w 30 foot cable
- Rotation speed: One-turn potentiometer
- Rotation mode: Two-position selector switch, WELD/RAPID
- Rotation direction: Three-position selector switch, FWD/OFF/REV
- Rotation control: START and STOP pushbuttons
- Tilt directional control: Three-position momentary switch, UP/OFF/DOWN
- Power: 460/230V, 15/30A, three phase, 60 hertz.
- Overload protection: Fused disconnect
- Foot switch: Optional

Weight

- Shipping weight: 3350 pounds



<p>PROJECT:</p> <p>DATE: 10/4/97</p> <p>DESIGNER: B. COOK</p> <p>20875</p>		<p>DIMENSIONAL OUTLINE</p> <p>PA30-HD12</p>	
<p>TULSA</p> <p>PRESTON-EASTON INC.</p> <p>OKLAHOMA</p>	<p>THIS DRAWING AND THE DESIGNS HEREIN ARE THE PROPERTY OF PRESTON-EASTON INC. REPRODUCTION AND/OR USE WITHOUT WRITTEN PERMISSION IS PROHIBITED.</p>	<p>20875</p>	<p>37 1/8</p>