

**Product Data – Positioners****Preston-Eastin Model PA-25 HD6****Capacity**

- Weight: 2500 pounds
- Offset of C.G. from table: 6 inches
- Eccentricity of C.G. from axis: 6 inches

**Rotation**

- Motor: Variable speed DC, 3/4 horsepower
- Speed range: 0.1 to 2.0 rpm
- Speed accuracy: 2% of set speed

**Tilt**

- Motor: AC brakemotor, 3/4 horsepower
- Range: 135 degrees forward tilt
- Inherent overhang: 5.56 inches

**Elevation:**

- Adjustment: Manual
- Range: 27-7/8" to 39-7/8" in 4" increments

**Table:**

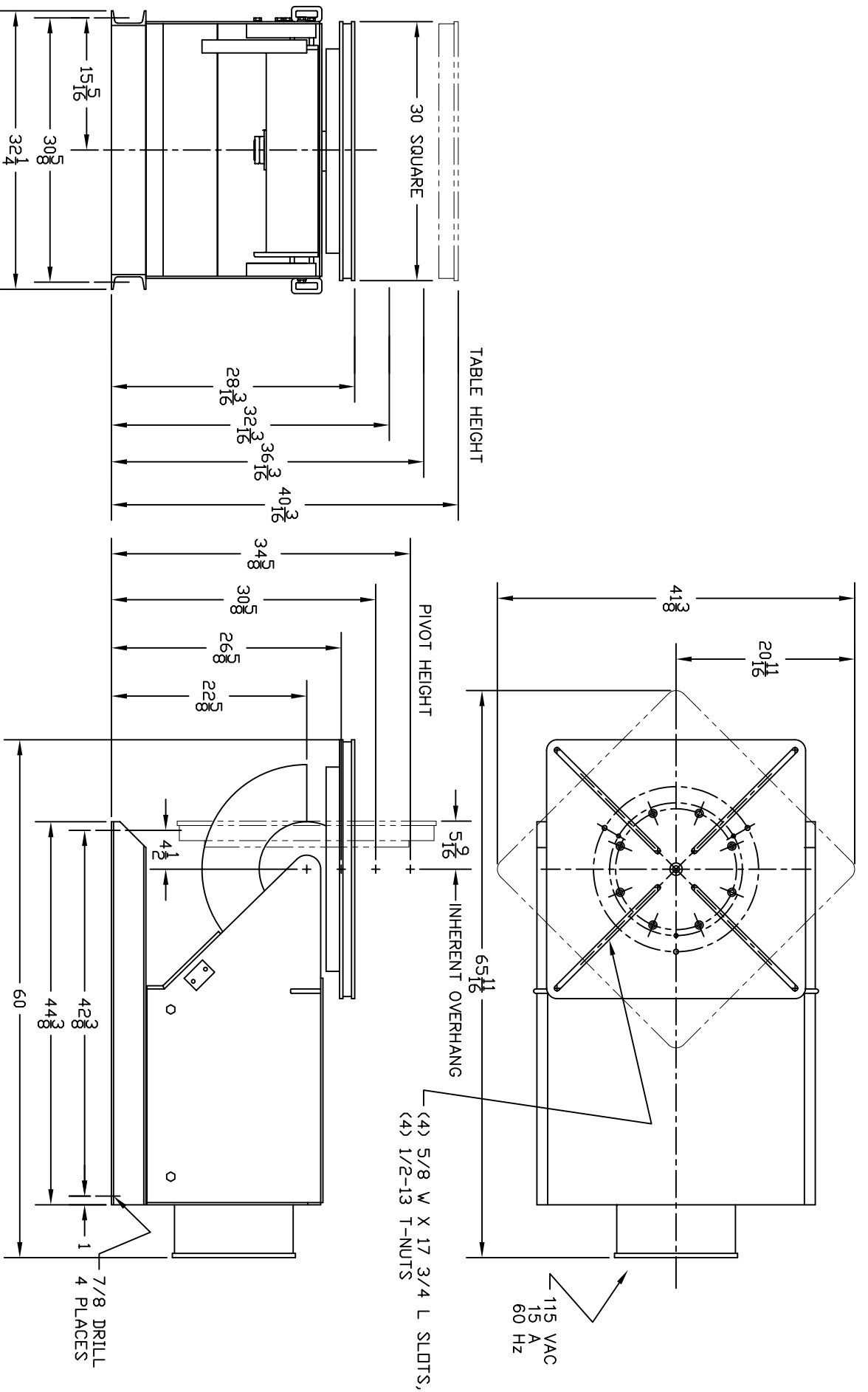
- Diameter: 30 inch square with four radial T-slots
- Mounting bolt size: 1/2 inch
- Bearings: Timken tapered roller bearings
- Ground: 600 amp spring-loaded mechanical ground

**Controls**

- Pendant: Remote pendant, 115V, w 30 foot cable
- Rotation speed: One-turn potentiometer
- Rotation mode: Two-position selector switch, WELD/RAPID
- Rotation direction: Three-position selector switch, FWD/OFF/REV
- Rotation control: START and STOP pushbuttons
- Tilt directional control: Three-position momentary switch, UP/OFF/DOWN
- Power: 115V, 20A, single phase, 60 hertz.
- Overload protection: Circuit breaker
- Foot switch: Optional

**Weight**

- Shipping weight: 1600 pounds



DIMENSIONAL OUTLINE

PA-25 HD-6

DESIGNER	DATE	REV. NO.	REV. DATE
PRISTON-EASTIN INC.	B. GORR	20188	5-19-97
OKLAHOMA	DATE PAID	REV. NO.	REV. DATE
TULSA	5-19-97	20188	5-19-97

THIS DRAWING AND THE DESIGNS HEREIN ARE THE PROPERTY OF PRISTON-EASTIN INC. REPRODUCTION AND/OR USE WITHOUT WRITTEN PERMISSION IS PROHIBITED.