

Product Data – Headstocks/Tailstocks**Preston-Eastin Model HS-45 Headstock, TS-45 Tailstock****Capacity**

- Weight: 4500 pounds
- Offset of C.G. from table: 12 inches
- Eccentricity of C.G. from axis: 12 inches

Rotation

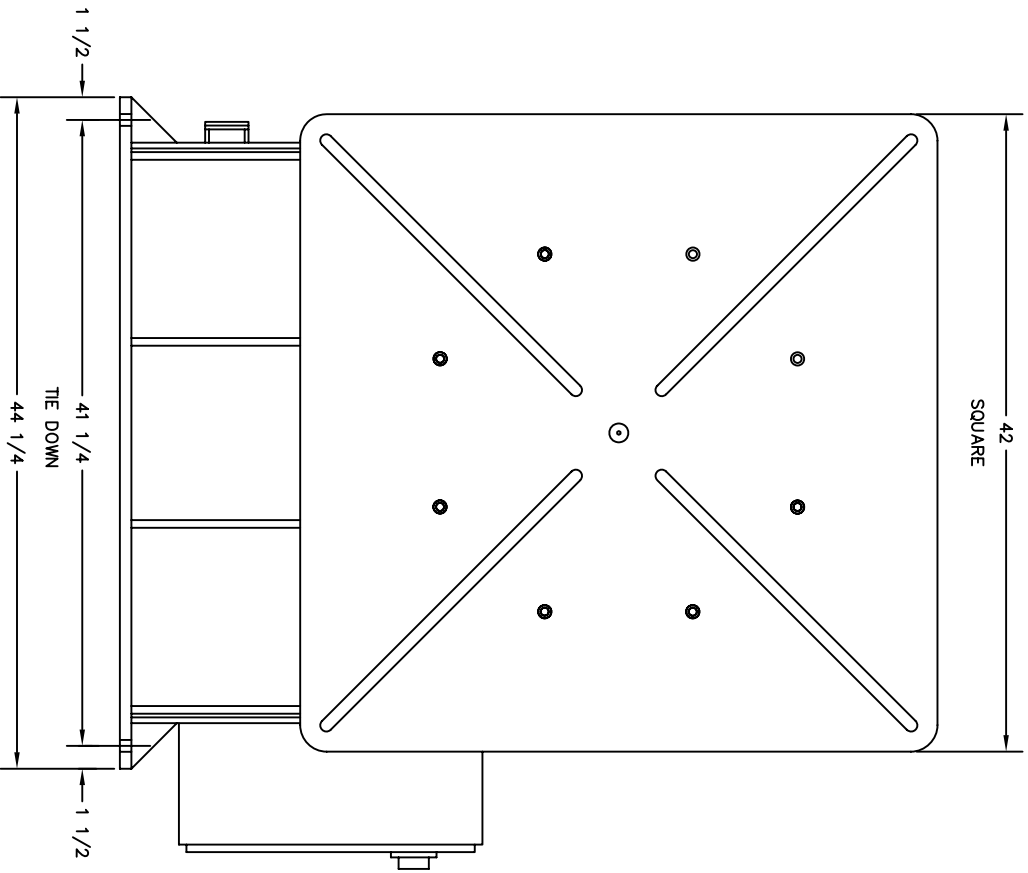
- Motor: 1.5 horsepower DC
- Rotational torque: 54,000 inch-pounds
- Speed: .03-.96 variable
- Safety: Drive reducer is self-locking

Table:

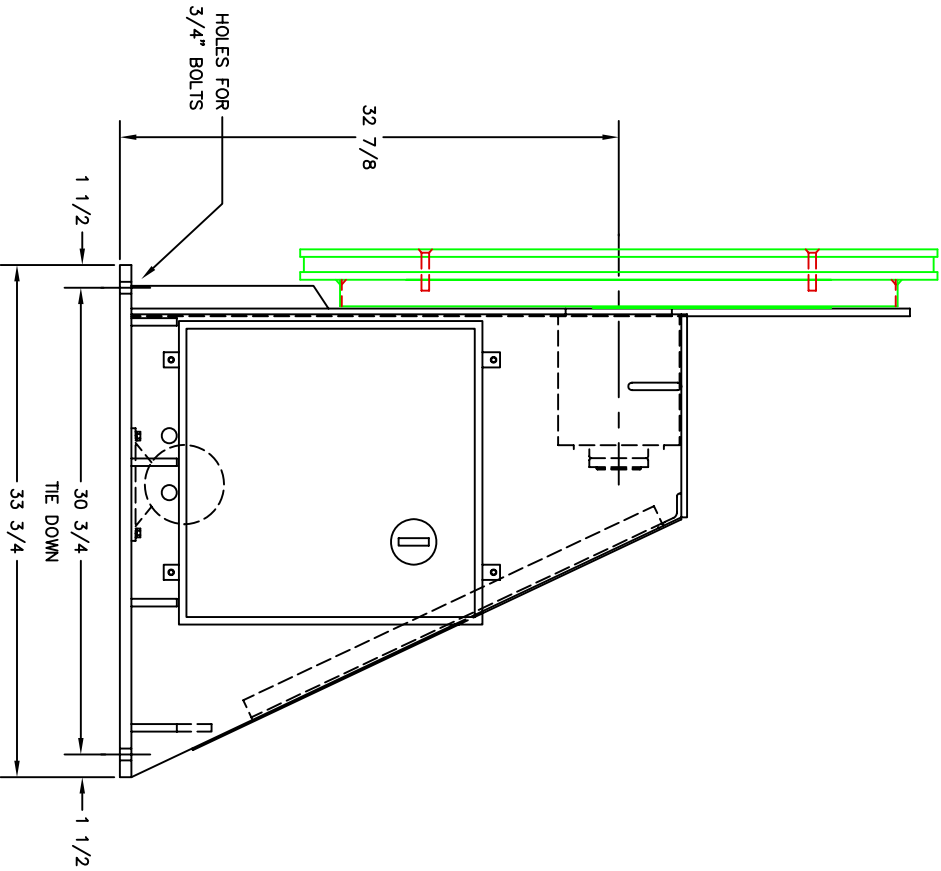
- Dimensions: 42" inch square with four radial T-slots
- Mounting bolt size: 3/4 inch
- Bearings: Timken tapered roller bearings
- Ground: 600 amp spring-loaded mechanical ground

Controls

- Pendant: Remote pendant, 115V, w 30' cable
- Rotation mode: Two-position selector switch, WELD/RAPID
- Rotation direction: Three-position selector switch, FWD/OFF/REV
- Rotation control: START and STOP pushbuttons
- Power: 460/230V, 15/30A, three phase, 60 hertz
- Overload protection: Fused disconnect



42
SQUARE



HOLES FOR
3/4" BOLTS

32 7/8

1 1/2

30 3/4

TIE DOWN

33 3/4

1 1/2

HEADSTOCK SHOWN
TAILSTOCK SAME EXCEPT NO ELECTRICS.

<p>PRESTON-EASTON INC. OKLAHOMA</p>		<p>DIMENSIONAL OUTLINE HS-45/TS-45</p>	
<p>DESIGNED BY E. COOK</p>	<p>DATE 4-18-95</p>	<p>28254</p>	<p>28254</p>
<p>TULSA</p>	<p>OKLAHOMA</p>	<p>28254</p>	<p>28254</p>
<p><small>THIS DRAWING AND THE DESIGNS HEREIN ARE THE PROPERTY OF PRESTON-EASTON INC. REPRODUCTION AND/OR USE WITHOUT WRITTEN PERMISSION IS PROHIBITED.</small></p>			